

EP 28 983 (3)



Europäisches Patentamt
European Patent Office
Office européen des brevets



(11) EP 1 202 273 A2

(12) EUROPEAN PATENT APPLICATION

(43) Date of publication:
02.05.2002 Bulletin 2002/18

(51) Int Cl.7: G11B 21/00

(21) Application number: 01124889.5

(22) Date of filing: 18.10.2001

(84) Designated Contracting States:
AT BE CH CY DE DK ES FI FR GB GR IE IT LI LU
MC NL PT SE TR
Designated Extension States:
AL LT LV MK RO SI

(72) Inventors:
• Kuwajima, Hideki
Kyoto-shi, Kyoto 606-8286 (JP)
• Matsuoka, Kaoru
Osaka-shi, Osaka 535-0013 (JP)

(30) Priority: 23.10.2000 JP 2000322441
04.10.2001 JP 2001308614

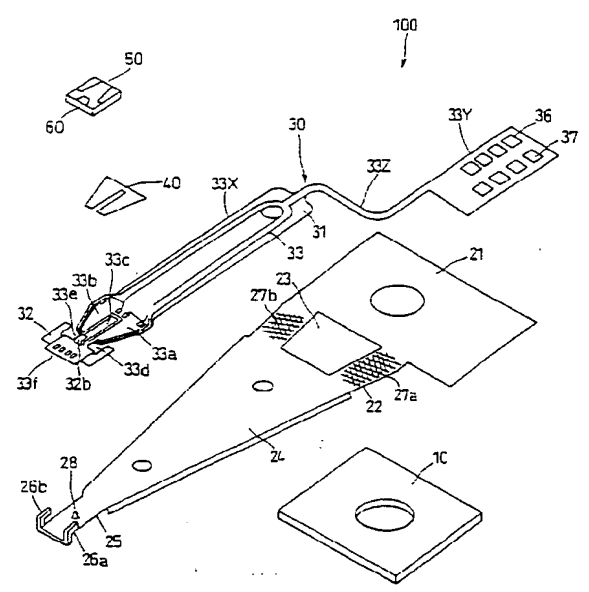
(74) Representative:
TER MEER STEINMEISTER & PARTNER GbR
Patentanwälte,
Mauerkircherstrasse 45
81679 München (DE)

(71) Applicant: MATSUSHITA ELECTRIC INDUSTRIAL
CO., LTD.
Kadoma-shi, Osaka 571-8501 (JP)

(54) Head supporting mechanism

(57) A load beam (20) is attached to an actuator arm that is allowed to rock around a pivotal axis by a voice coil motor, etc., as a slider supporting member, the base end of a flexure (30) is attached to the load beam (20) with the free end thereof being left, a slider supporting member (32) is attached to the top portion of the flexure (30), a slider (50) on which a recording/reproduction head (60) is installed is secured to the slider supporting member (32), and the slider supporting member (32) is supported by a protrusion (28) placed on the free end side of the load beam (20) so as to be freely pivot thereon. Portions of the flexure (30) corresponding to both of the sides of this protrusion (28) are constituted by elastic hinge portions, each having a necked shape. A pair of thin-film piezoelectric elements (40a, 40b) are bonded to the flexure (30) as displacement members. In a tracking compensation operation of the head, forces are exerted on the slider supporting member (32) through the elastic hinge portion by extending and contracting operations of the pair of thin-film piezoelectric elements so that the slider (50) is allowed to pivot around the protrusion (28) of the load beam serving as the center of pivotal movements, together with the slider supporting member (32).

F.I.G. 2



EP 1 202 273 A2

Best Available Copy

Description

BACKGROUND OF THE INVENTION

Field of the Invention

[0001] The present invention relates to a head supporting mechanism for supporting a recording/reproduction use head that makes an access to a recording medium in an information recording apparatus.

Description of the Related Art

[0002] A head for recording/reproducing data on and from an information recording medium in an information recording apparatus such as a magnetic disk apparatus is installed on a slider that allows the head to float over the recording medium with a fine gap in between. A head supporting mechanism is used for supporting this head slider. The head supporting mechanism is attached to an actuator arm that is driven by a voice coil motor (VCM) serving as a driving source.

[0003] A suspension arm is attached to the actuator arm that is driven by the voice coil motor so as to freely pivot thereon, and the head slider is attached to the suspension arm. A fine-movement actuator utilizing a thin-film piezoelectric element is interpolated between the actuator arm and the suspension arm so that the suspension arm is allowed to pivot by driving the fine-movement actuator, thereby allowing the head on the slider to land on a track.

[0004] Great shifts such as a seeking operation of the head slider are carried out by controlling the voice coil motor, and the tracking compensation for landing-on a track is carried out by controlling the fine-movement actuator.

[0005] However, recent developments of high recording density in recording media and the resulting high-speed rotation of the recording medium have taken place so fast that it is sometimes difficult for the head supporting mechanism of the above-mentioned arrangement to follow the developments.

[0006] In the case of the head supporting mechanism having the above-mentioned arrangement, the entire suspension arm including the head slider is driven by the fine-movement actuator. However, the suspension arm is considerably long, and has a great mass with a great moment of inertia. For this reason, in the tracking compensation for positioning the head on a target track when the head is lifted off track, it is difficult to properly provide a high-speed response with high precision.

SUMMARY OF THE INVENTION

[0007] Therefore, the main objective of the present invention is to provide a head supporting mechanism of an information recording apparatus that can achieve a high-speed responding property and a high-precision

positioning control in the tracking compensation for a target track.

[0008] Another objective of the present invention is to provide a head supporting mechanism that can improve the floating characteristic of the slider with respect to the recording medium.

[0009] Still another objective, feature and advantage of the present invention will be clarified by the following description.

[0010] In order to solve the above-mentioned subjects, the present invention relating to the head supporting mechanism is provided with the following means.

[0011] A slider-supporting beam is attached to an actuator arm that shifts relative to a recording medium. A slider supporting member is supported on a free end of the slider supporting beam so as to freely rotate thereon. A displacement member is connected to the slider supporting member, and based upon the operation of the displacement of the displacement member, the slider supporting member is allowed to pivot around the pivotal center together with the slider placed thereon. The displacement member is directly or indirectly attached to a slider supporting beam. The connecting point of the displacement member and the slider supporting member is placed at a position different from the pivotal center so that the displacement of the displacement member allows the slider supporting member to pivot around the pivotal center.

[0012] In other words, the head supporting mechanism of the present invention is provided with a slider on which a head for recording and reproducing data on and from the recording medium is installed, a slider supporting member for supporting the slider, a slider supporting beam the base side of which is attached to the actuator arm and the free end of which is provided with the slider supporting member so as to freely pivot thereon, and a displacement member which makes a displacement so that the slider supporting member is allowed to pivot together with the above-mentioned slider.

[0013] Here, the relative shifts of the actuator arm may be provided as rocking movements or linear shifts.

[0014] In accordance with the above-mentioned arrangement, the displacement member is operated so that the slider supporting member supporting the slider is allowed to pivot around the pivotal center with respect to the slider supporting beam. The slider is allowed to pivot together with the slider supporting member.

[0015] In the case when the slider supporting beam is connected to the actuator arm so as to freely pivot thereon and the entire portion of the slider supporting beam is allowed to pivot, the slider supporting beam including the slider that is to pivot has a greater mass. Moreover, the length of the slider supporting beam that corresponds to an effective radius of the displacement of the slider is greater. Therefore, when the slider supporting beam is allowed to pivot so as to make a displacement of the slider, a delay in response may occur.

[0016] In contrast, in the present invention, the slider

supporting member is allowed to pivot around the pivotal center within the area range of the slider supporting member itself. The pivotal centers of the slider and the slider supporting member that are the subjects of the pivot need not be coincident with the center of gravity of the slider; however, they are certainly placed within the area of the slider supporting member. The slider supporting member is supported within the area range so as to freely pivot therein so that the effective radius of the pivot is sufficiently small as compared with the case in which the slider supporting beam is allowed to pivot. Moreover, the subjects of the pivot are the slider and the slider supporting member, and their masses are smaller than the mass of the slider supporting beam containing the slider. The moment inertia of the two members, that is, the slider and the slider supporting member, is smaller than the moment inertia of the three members, that is, the slider, the slider supporting member and the slider supporting beam; therefore, it is possible to set smaller the driving torque of the slider and the slider supporting member caused by the operation of the displacement member. Moreover, since they have a small dimension and light weight, it is possible to improve the response characteristic and precision in the tracking compensation for positioning to a target track when the head has a positional deviation from the target track. In other words, the present invention makes it possible to provide a head supporting mechanism of an information recording apparatus which can make a fine displacement on the head with high precision at high speeds.

[0017] In a preferred embodiment of the above-mentioned head supporting mechanism, the pivotal center at which the slider supporting member is supported to freely pivot thereon by the slider supporting beam is set to a position corresponding to the center of gravity of the slider or the vicinity thereof.

[0018] The displacement of the displacement member allows the slider supporting member to pivot around the pivotal center together with the slider; and in this case, when the pivotal center is set at the position of the center of gravity of the slider, it is possible to smoothly carry out the pivotal movement of the slider caused by the displacement of the displacement member.

[0019] In another preferred embodiment of the above-mentioned head supporting mechanism, a pair of the above-mentioned displacement members are placed in a symmetric manner. The pair of displacement members are placed symmetrically with respect to the center line along the length direction of the slider supporting beam passing through the center of rotation of the slider supporting member. Moreover, either one of the paired displacement members is extended, with the other being contracted, so that they are allowed to carry out respective operations in directions opposite to each other.

[0020] This is a translational arrangement of a link mechanism, and with respect to the operations for allowing the slider to pivot together with the slider supporting member around the pivotal center, the pivotal oper-

ation in the clockwise direction and the pivotal operation in the counterclockwise direction are made equivalent to each other. In addition, both of the pivotal operation in the clockwise direction and the pivotal operation in the counterclockwise direction allow the pivotal movement of the slider to become more smoother. Here, with respect to the translational link mechanism, a pair of displacement members are not necessarily set in parallel with each other.

[0021] In still another preferred embodiment of the above-mentioned head supporting mechanism, the slider supporting beam is formed as a load beam having an elasticity, and this load beam and the slider supporting member are connected to each other through a flexure that is a flexible wiring substrate for providing wiring to the head in the slider, and a protrusion placed on the free end of the load beam is allowed to contact the slider supporting member so that the above-mentioned protrusion supports the slider supporting member so as to freely pivot thereon centered on the protrusion serving as the pivotal center.

[0022] The slider supporting beam is designed as a load beam having an elasticity. The flexure is secured to the load beam with one portion thereof being not secured, a slider supporting member is attached to the portion of the flexure that is not secured. The protrusion on the free end of the load beam presses the slider supporting member attached to the flexure toward the recording medium, thereby applying a load thereon.

[0023] The slider, which faces the surface of the recording medium rotating at a high speed, is allowed to float by a pressure caused by air currents generated on the surface of the recording medium. Even when the surface of the recording medium has a waved form, the flexure and load beam are properly combined so that the fine gap distance between the slider and the recording medium is maintained at a predetermined range. In other words, it is possible to improve the floating characteristic of the slider.

[0024] In a preferred embodiment of the above-mentioned arrangement, the displacement member is formed by a thin-film piezoelectric element, and this thin-film piezoelectric element is bonded to the flexure. The thin-film piezoelectric element is fine in dimension, the thickness is sufficiently thin with a sufficiently light weight, and the operational characteristic in extension and contraction at the time of the voltage control is stable. By bonding the thin-film piezoelectric element to the flexure, it is possible to easily arrange the displacement member in the vicinity of the slider supporting member.

[0025] In a preferred embodiment in the above-mentioned arrangement, in the above-mentioned flexure, at two portions that are symmetrical with respect to the center line along the length direction of the load beam passing through the protrusion of the load beam, a pair of elastic hinge portions, each having a necked shape, are formed. In this case, with respect to the displacement member, it does not make any difference whether

or not it is provided as the thin-film piezoelectric element.

[0026] The slider supporting member is attached to a flexure portion closer to the free end than to the paired elastic hinge portions. The paired displacement members are connected to the slider supporting member attached to the flexure portion on the free end side through the pair of elastic hinge portions.

[0027] The slider supporting member, attached to the flexure through the pair of elastic hinge portions, that is, the slider, is allowed to have a flexible state in each of the pitching direction and the rolling direction, that is, the degree of freedom in both of the directions. Therefore, even when the recording medium rotating at a high speed has a waved surface, it is possible to provide a superior floating characteristic of the slider with respect to the surface of the recording medium.

[0028] It is essential to allow the yawing of the slider to make a high-speed in response to the tracking compensation while maintaining the free pitching and rolling states of the slider.

[0029] One of the displacement members is extended, while the other displacement member is contracted. On the extended side, the elastic hinge portion is pushed out toward the free end so that the slider supporting member is displaced around the pivotal center. The transmission of this displacement is alleviated by the elastic hinge portion on the contracted side, with the result that the operating force of the displacement is not transmitted to the displacement member on the other extended side.

[0030] Moreover, on the contracted side, the elastic hinge portion is pulled back to the base side, thereby allowing the slider supporting member to be displaced around the pivotal center. The transmission of this displacement is alleviated on the elastic hinge portion on the extended side, with the result that the active force of the displacement is not transmitted to the displacement member on the other extended side.

[0031] Therefore, the pair of displacement members allow virtually only the flexure portion that is closer to the free end side than to the pair of elastic hinge portions to pivot around the pivotal center, with the mutual symmetrical relationship being maintained. In other words, the operations of the extension and contraction of the pair of displacement members, that is, the extension of one of the members and the contraction of the other member are smoothly achieved, without causing any interference from each other. Consequently, it is possible to allow the slider to smoothly pivot with less resistance by using a smaller driving force. Moreover, the tracking compensation for the head is achieved at high speeds with high precision, with less response delay.

[0032] In a preferred embodiment in the above-mentioned arrangement, the pair of elastic hinge portions are placed on a straight line in a right angle direction with respect to the center line of the load beam, which passes through the protrusion on the load beam. In this

case, it is possible to transmit the driving force of the displacement member more effectively. If the pair of elastic hinge portions are placed so as to be separated from the straight line passing through the protrusion, mismatching will occur with respect to the active force transmission, causing a reactive force and the subsequent beating phenomenon in the load beam. When it is placed on the straight line passing through the protrusion, such reactive force and beating phenomenon are not generated. Therefore, it is possible to provide the high-speed response property and high-precision positioning property more effectively.

[0033] In a more preferable embodiment in the above-mentioned arrangement, a pair of thin-film piezoelectric elements are symmetrically placed as the displacement members. The pair of thin-film piezoelectric elements are symmetrically placed with respect to the center line along the lengthwise direction of the load beam, which passes through the protrusion forming the rotation center in the load beam. The pair of thin-film piezoelectric elements are bonded to a flexure. The pair of thin-film piezoelectric elements are allowed to extend and contract in the mutually reversed directions so that either one of the pair of thin-film piezoelectric elements is extended with the other being contracted. With this translational arrangement of the link mechanism in the thin-film piezoelectric elements, the pivotal movement of the slider in any of the clockwise direction and the counter clockwise direction is made equivalent to each other, and is also made smoother.

[0034] In a preferable embodiment in the above-mentioned arrangement, the slider supporting member is supported so as to freely pivot on the position of the center of gravity of the entire subject of the pivotal movement consisting of the slider and the slider supporting member. If the subject of the pivotal movement is supported so as to freely pivot on a position apart from the center of gravity, a moment corresponding to the radius from the pivotal center and the center of gravity is generated, thereby causing a reactive force on the pivotal center. This reactive force reversely acts on the pair of displacement members, thereby returning the subject of the pivotal movement in the reversed direction. This causes a response delay in the tracking compensation. By making the fulcrum of the pivotal movement and the center of gravity of the pivotal movement coincident with each other, it becomes possible to prevent the generation of the reactive force, and consequently to more effectively transmit the driving force of the displacement member. Therefore, it is possible to provide the high-speed responding property and the high-precision positioning operation more effectively.

[0035] In a preferable embodiment in the above-mentioned arrangement, the slider supporting member is constituted by a main section to be connected to the flexure and a slider center-of-gravity holding section. The slider center-of-gravity holding section is formed in a manner so as to connect to the main section for the con-

nection to the flexure, thereby allowing the protrusion on the load beam to contact as well as fixing the slider in its center of gravity or in the vicinity thereof.

[0036] The protrusion on the free end of the load beam supports the slider on its center-of-gravity or in the vicinity thereof through the slider center-of-gravity holding section of a slider supporting member, and also provides the center of the pivotal movement to the slider. Thus, the relative orientation angle of the slider with respect to the load beam, in particular, the setting of the inclination in the pitching direction, can be accurately achieved by simple methods, that is, the adjustments of the protruding amount of the protrusion and the dimension of the slider center-of-gravity holding section.

[0037] The relative inclination in the pitching direction of the slider with respect to the recording medium is determined in various manners depending on the specifications in the information recording apparatus. In response to each of the variations, not an arrangement in which each of all the constituent elements is modified so as to be applied to each specification, but an arrangement in which the load beam and slider are set as commonly-used components and the dimension of the slider center-of-gravity holding section is adjusted in the slider supporting member is utilized. In other words, the setting of the relative inclination in the pitching direction in the slider with respect to the recording medium is easily carried out, thereby making it possible to provide a superior floating characteristic of the slider.

[0038] In a preferable embodiment in the above-mentioned arrangement, the above-mentioned slider supporting member is provided with a mass balancing section for balancing the mass of the main section with respect to the slider center-of-gravity holding section, in addition to the main section and the slider center-of-gravity holding section.

[0039] In the flexure, the slider supporting member is attached to the free end side as compared with the elastic hinge portion; and in order to provide a preferable floating characteristic for the slider, the slider supporting member needs to be set free from the portion to which the thin-film piezoelectric element is bonded in the flexure. However, in contrast, the slider supporting member is preferably arranged so as to support the slider on its center of gravity. In this case, without any modification, the shape of the slider supporting member would cause degradation in the entire mass balance with respect to its slider center-of-gravity holding section. This arrangement is made because in the flexure, it is not preferable to make the slider supporting member in contact with the portion to which the thin-film piezoelectric element is added.

[0040] For this reason, the above-mentioned mass balancing section is installed so as to provide a well-balanced mass as a whole. The protrusion on the load beam supports the slider supporting member on its center of gravity, and also indirectly supports the slider on its center of gravity or on the vicinity thereof. In other

words, the entire portion of the subject of the pivotal movement including the slider supporting member and the slider can be supported in a well-balanced manner; therefore, it is possible to improve the floating characteristic of the slider in both of the pitching direction and the rolling direction.

[0041] In a preferable embodiment in the above-mentioned arrangement, the above-mentioned slider center-of-gravity holding section has an arrangement in which a portion extending integrally from the main section of the slider supporting member is formed by a bending process. Thus, it is possible to simplify the structure for easily setting the inclination of the slider in the pitching direction.

[0042] Moreover, in a preferable embodiment in the above-mentioned arrangement, the above-mentioned slider center-of-gravity holding section is formed by integrally molding it together with the molding process of the wiring-use flexible substrate of the flexure. Thus, it is possible to provide a smooth yawing operation of the slider while maintaining a sufficient degree of freedom in the pitching operation and the rolling operation of the slider. It is also possible to easily form the slider center-of-gravity holding section.

[0043] In a preferable embodiment in the above-mentioned arrangement, the above-mentioned pair of elastic hinge portions are placed within a slider area range when viewed in the stacking direction of the slider and the slider supporting member.

[0044] In the case when a pair of elastic hinge portions are placed outside the slider area range, the distance from the pivotal center to the elastic hinge portion is long. The angle in which the slider is allowed to pivot is small with respect to an extension or a contraction at a fixed dimension of the displacement member. In the case when the angle θ is minute, if θ is represented by a radian unit, the following equation is satisfied with respect to a minute deviation ε in the displacement member in the radius r from the pivotal center.

$$\theta = \varepsilon/r$$

Thus, the smaller the radius r , the greater the pivotal angle θ . By placing the pair of the elastic hinge portions within the slider area range, it is possible to make the pivotal angle of the slider greater with respect to a fixed displacement of the displacement member. Consequently, it is possible to improve the responding property in the tracking compensation.

[0045] Here, in the case when a pair of elastic hinge portions are placed within the area range of the slider, the arrangement of the above-mentioned mass balancing portion becomes more beneficial.

[0046] In a preferable embodiment of the above-mentioned arrangement, the thin-film piezoelectric member is constituted by a plurality of piezoelectric elements that are stacked, with the voltage-applying directions of the

plurality of thin-film piezoelectric elements being set opposite to each other.

[0047] In this case, in comparison with a single-layered thin-film piezoelectric member, it is possible to provide a sufficient power for allowing the slider to pivot for the tracking compensation. Moreover, it is possible to prevent warping due to bimorph and consequently to extend and contract the thin-film piezoelectric member within the in-plane of the original film in a manner of parallel displacement. In the case of a single layer, a warp is generated. Even in the case of a plurality of layers, a warp is generated in each layer; however, by reversing the respective voltage-applying directions, the directions of the warps are made opposite to each other so as to cancel the warps as a whole. By restricting the wasteful movement of the warp, it becomes possible to effectively utilize the extending and contracting energy, and consequently to improve the responding property of the tracking compensation.

[0048] In a preferable embodiment in the above-mentioned arrangement, with respect to the application of a voltage to the pair of thin-film piezoelectric members, a bias voltage is applied in its initial conditions, and based upon this bias voltage, voltages having mutually reversed polarities are applied in its extending and contracting operations.

[0049] In this case, the length of the thin-film piezoelectric member with a bias voltage being applied is determined as a reference. In other words, a voltage to be applied to both of the thin-film piezoelectric members when the head is landed on a target track is a bias voltage. Depending on cases in which a voltage higher than the bias voltage and a voltage lower than the bias voltage are applied, the extending and contracting operations are set symmetrical with each other.

[0050] When the head is dislocated from the target track, a tracking compensation control operation is carried out. When the head is dislocated in the right direction from the target track, it is returned to the left direction; however, it is difficult to allow the head to land directly on the target track by using only this operation. Due to an overshoot, this time, the head is dislocated in the left direction from the target track. At this time, the head is returned in the right direction. In other words, alternate movements are carried out. In this case, the directions of voltages to be applied to the pair of thin-film piezoelectric members are also alternately changed. Therefore, when voltages in the reversed polarities are applied based upon the bias voltage, the extending and contracting operations are set symmetrical with each other, thereby making it possible to quickly carry out the reducing process of the hunching due to the overshoot. As a result, controlling operations of the extending and contracting operations in the thin-film piezoelectric members are carried out at high speeds with high precision.

[0051] In a preferable embodiment in the above-mentioned arrangement, wires in the above-mentioned flex-

ure are placed along the end edges of the flexure on both of the outsides of the thin-film piezoelectric member that is bonded to the flexure. Thus, the strength of the flexure is increased by the wires so that it becomes possible to prevent the flexure from warping due to the extending or contracting thin-film piezoelectric member, and consequently to effectively transmit the extending or contracting force of the thin-film piezoelectric member to the slider supporting member.

[0052] In a preferable embodiment in the above-mentioned arrangement, the above-mentioned flexure and the thin-film piezoelectric member are arranged so that neutral axes on the center in the thickness direction of the two members are set to be virtually coincident with each other.

[0053] When voltages in the reversed polarities are alternately applied to the thin-film piezoelectric member, the corresponding vibrations are generated in the flexure. These vibrations take place in the normal direction with respect to the surface of the flexure. In this case, when the neutral axis of the flexure and the neutral axis of the thin-film piezoelectric member have a step difference in the normal direction, the step difference dimension is allowed to form the arm of a moment. Then, the vibration of the flexure is amplified through the arm, resulting in a phenomenon in which the elastic hinge portion is vibrated. This phenomenon causes an unnecessary movement in the pitching direction in the slider.

[0054] Therefore, by making the neutral axis of the flexure (elastic hinge) and the neutral axis of the thin-film piezoelectric member coincident with each other, the arm of the moment is eliminated so that even when the flexure is vibrated, the amplification thereof is suppressed. Consequently, it is possible to control the tracking compensation at high speeds, with high precision.

[0055] In a preferable embodiment in the above-mentioned arrangement, the thin-film piezoelectric member is coated with a protection member. Thus, the thin-film piezoelectric member is protected and the thickness of the thin-film piezoelectric member is increased so that it is possible to suppress the warp of the thin-film piezoelectric member and also to provide a more effective operation of the slider pivotal movement caused by the extension and contraction of the thin-film piezoelectric member.

[0056] In a preferable embodiment in the above-mentioned arrangement, a wire is allowed to pass through the pair of elastic hinge portions. Here, the thickness of the wire passing through the elastic hinge section is set to be greater than the width thereof. This portion of the flexure, which has a necked shape, is also used as the elastic hinge portion and the line passage portion. Further, this essential thin portion having the necked shape is reinforced so as to improve the reliability.

[0057] Here, with respect to information recording apparatuses to which the above-mentioned head supporting mechanism is applied, apparatuses such as a magnetic disk apparatus, an optical disk apparatus and a

magneto-optical disk apparatus, are listed.

BRIEF DESCRIPTION OF THE DRAWINGS

[0058] These and other objects, advantages, features, and uses of the invention will become more apparent from the following description of preferred embodiments of the invention with reference to the accompanying drawings wherein:

FIG. 1 is a perspective view that shows the entire structure of a head supporting mechanism in accordance with an embodiment of the present invention;

FIG. 2 is a perspective view that shows a head supporting mechanism in an exploded manner in accordance with the embodiment of the present invention;

FIG. 3 is a perspective view that shows a slider of the head supporting mechanism in accordance with the embodiment of the present invention;

FIG. 4 is a perspective view that shows a structure of a flexure of the head supporting mechanism in an exploded manner in accordance with the embodiment of the present invention;

FIG. 5 is a side view that shows the slider portion in the head supporting mechanism in an enlarged manner, in accordance with the embodiment of the present invention;

FIG. 6 is a plan view that shows a thin-film piezoelectric unit in the head supporting mechanism in accordance with the embodiment of the present invention;

FIG. 7 is a cross-sectional view taken along line A-A in FIG. 6.

FIG. 8 is a plan view that shows the top portion of the flexure in the head supporting mechanism in accordance with the embodiment of the present invention;

FIG. 9A is a cross-sectional view taken along line B-B in FIG. 8.

FIG. 9B is a cross-sectional view that is irregularly cut so as to clearly show the wiring state of FIG. 8;

FIG. 10 is a side view that shows the head supporting mechanism in accordance with the embodiment of the present invention;

FIG. 11A is an explanatory view that shows driving system of a thin-film piezoelectric unit in the head supporting mechanism in accordance with the embodiment of the present invention;

FIG. 11B is a waveform diagram of an applied voltage to one of thin-film piezoelectric elements of the thin-film piezoelectric unit in the head supporting mechanism in accordance with the embodiment of the present invention;

FIG. 11C is a waveform diagram of an applied voltage to the other thin-film piezoelectric element of the thin-film piezoelectric unit in the head support-

ing mechanism in accordance with the embodiment of the present invention;

FIG. 12A is a plan view that explains the operation of the head supporting mechanism in accordance with the embodiment of the present invention;

FIG. 12B is a drawing that explains the principle of the operation of the head supporting mechanism in accordance with the embodiment of the present invention;

FIG. 13A is a schematic plan view that explains the advantage of a mass balancing portion in the head supporting mechanism in accordance with the embodiment of the present invention;

FIG. 13B is a schematic plan view that shows a comparative example in which the mass balancing portion is omitted;

FIG. 14A is a plan view that explains the effective radius of the pivotal movement and the suppressed state of a reactive force against the pivotal movement and prevention of reactive force in pivotal movement of the slider in the head supporting mechanism in accordance with the embodiment of the present invention;

FIG. 14B is a plan view that shows a comparative example that has a greater effective radius;

FIG. 14C is a plan view that shows a comparative example in which a reactive force is generated in a pivotal movement;

FIG. 14D is an explanatory drawing that shows the operation of the comparative example;

FIG. 15A is an explanatory drawing that shows a positional relationship between the center of pivotal movements of the slider supporting member of the head supporting mechanism and the pair of the elastic hinge portions in accordance with the embodiment of the present invention;

FIG. 15B is an explanatory drawing that shows the operation of the head supporting mechanism in accordance with the embodiment of the present invention;

FIGS. 15C to 15E are explanatory drawings of a comparative example;

FIG. 16A is an explanatory drawing that shows a positional relationship between the center of gravity of a subject of the pivotal movements consisting of the slider supporting member and the slider and the center of pivotal movements in the head supporting mechanism in accordance with the embodiment of the present invention.

FIG. 16B is an explanatory drawing that shows the operation of the head supporting mechanism in accordance with the embodiment of the present invention;

FIGS. 16C to 16E are explanatory drawings of a comparative example;

FIG. 17A is a cross-sectional view that shows a structure in which the neutral axis of the flexure and the neutral axis of the thin-film piezoelectric element

are coincident with each other in the head supporting mechanism in accordance with the embodiment of the present invention;

FIGS. 17B and 17C are explanatory drawings of a comparative example; and Fig. 17D shows a state in which a mechanical resonance is generated;

FIG. 18 is a perspective drawing that shows a structure of another embodiment (modified slider center-of-gravity supporting section) of the present invention; and

FIG. 19 is a plan view that shows a structure of a magnet disk apparatus;

[0059] In all these figures, like components are indicated by the same numerals.

DETAILED DESCRIPTION OF THE PREFERRED EMBODIMENTS

[0060] Referring to Figures, the following description will discuss preferred embodiments of the head supporting mechanism of an information recording apparatus in accordance with the present invention.

[0061] In FIG. 19 that shows the structure of a magnetic disk apparatus, reference number 70 is a magnetic disk, 1 is a spindle motor for driving the magnetic disk 70 at high speeds while supporting it in the center, and 2 is a head actuator. The head actuator 2 is provided with an actuator arm 4 supported by a pivotal axis 3, a coil arm 5 that is placed in a manner so as to connect to the actuator arm 4 and placed at a position on the side opposite to the pivotal axis 3, a coil 6 that is attached to the coil arm 5, a slider supporting beam 20 attached to the base end on the free end side of the actuator arm 4, and a slider 50 attached to the free end side of the slider supporting beam 20. The slider 50 is provided with a head. Reference numeral 7 is a permanent magnet attached to a box-shaped body in a manner so as to face the coil 6. In FIG. 19, the slider supporting beam 20 and the slider 50 correspond to a head supporting mechanism 100.

[0062] FIG. 1 shows a head supporting mechanism 100 in accordance with a preferred embodiment of the present invention, and FIG. 2 shows the head supporting mechanism 100 in an exploded manner. With respect to the constituent elements, the head supporting mechanism 100 is mainly constituted by a base plate 10, a load beam 20, a flexure 30, a thin-film piezoelectric unit 40, a slider 50 and a magnetic head 60. The load beam 20 is a typical example of a slider supporting beam, and the thin-film piezoelectric unit 40 is a typical example of a displacement member.

[0063] The base plate 10 is attached to the actuator arm 4 shown in FIG. 19. The load beam 20 is fixed to the base plate 10 on its base end side. The load beam 20 has an elastic property in the normal direction to its plate face. A protrusion 28, which forms the center of pivotal movements of the slider 50, is placed on the free

end side of the load beam 20. A slider supporting member 32 is supported on the protrusion 28 in a manner so as to freely pivot thereon. The slider 50 is fixed to the slider supporting member 32. The head 60 is installed on the slider 50. A flexure 30 is placed between the slider supporting member 32 and the load beam 20 in an extending manner. A thin-film piezoelectric unit 40 is bonded to the flexure 30. The slider supporting member 32 is bonded to a flexure top 33f located on the further edge side from the portion on which the thin-film piezoelectric unit 40 is bonded.

[0064] The slider supporting member 32 is allowed to pivot around the protrusion 28 serving as the center of pivotal movements by the extending and contracting operations of the thin-film piezoelectric unit 40. The flexure 30 is joined to the load beam 20 except the portions on which the thin-film piezoelectric unit 40 and the slider supporting member 32 are bonded. Wires related to the head 60 and the thin-film piezoelectric unit 40 are formed on the flexure 30.

[0065] Hereinafter, detailed explanations will be given of the respective parts.

[0066] As illustrated in FIG. 1 and FIG. 2, the load beam 20 is provided with a base end 21 that is secured to the base plate 10 having a short rectangular shape, through, for example, a beam welding process, a neck portion 22 extended from the base end 21 in a manner so as to be narrowed toward the top, an opening section 23 formed in the center on the neck portion 22, a beam main section 24 extended linearly in a manner so as to connect to the neck portion 22 and to be narrowed toward the top, a supporting section 25 connecting to the top of the beam main section 24, and a pair of regulating sections 26a and 26b that are allowed to rise on both of the right and left sides of the supporting section 25. Portions on both of the sides of the opening section 23 in the neck section 22 is constituted by a pair of plate spring sections 27a and 27b. A protrusion 28 is integrally formed virtually on the central portion of the supporting section 25. The pair of regulating sections 26a and 26b are linearly extended toward the base end 21 from the top of the supporting section 25 in parallel with each other.

[0067] As illustrated in FIG. 4, the flexure 30 has five members as its main constituent elements, that is, a flexure substrate 31, a slider supporting member 32, a flexible wiring substrate 33 connecting these flexure substrate 31 and slider supporting member 32, a head-use wire 34 provided on the wiring substrate 33 as a patterned wire and a thin-film piezoelectric member-use wire 35. The flexure substrate 31 and the slider supporting member 32 are made of metal, or more preferably, stainless steel. The wiring substrate 33 is constituted by an insulating film made of a polyimide resin, etc. The head-use wire 34 and the piezoelectric member-use wire 35 are patterned on the wiring substrate 33.

[0068] There are three types of piezoelectric member-use wires 35. Referring to FIG. 8, these are explained.

FIG. 8 shows the wiring substrate 33 and the slider supporting member 32 without discriminating these members. With respect to the constituent elements of the piezoelectric member-use wire 35, one is a first piezoelectric member-use wire 35a, another is a second piezoelectric member-use wire 35b and the other is a third piezoelectric member-use wire 35c. Besides these, a pair of ground wires 35d for setting the slider 50 to the ground level are placed.

[0069] As illustrated in FIG. 2, the wiring substrate 33 in the flexure 30 is provided with a flexible substrate main section 33X that is joined to the beam main section 24 of the load beam 20 except its top side, an external connecting terminal holding section 33Y that is joined to the base end 21 of the load beam 20 and a connecting section 33Z that couples the substrate main section 33X and the terminal holding section 33Y into a crank shape all of which are integrally arranged.

[0070] As illustrated in FIG. 4 and FIG. 8, the substrate main section 33X in the wiring substrate 33 is provided with tong-shaped piezoelectric member supporting portions 33a and 33b, a slit 33c located between these, a pair of elastic hinge portions 33d and 33e that are respectively formed on the top sides of the piezoelectric member supporting portions 33a and 33b, each having a locally thin width with a necked shape, and a flexure top end 33f for connecting the two members on further end sides of elastic hinge portions 33d and 33e, all of which are integrally arranged. The slit 33c is extended from the area of the piezoelectric member supporting sections 33a, 33b to the flexure top end 33f. Including the elastic hinge portions 33d and 33e, the entire wiring substrate 33 is made from a polyimide resin, etc., so that it also serves as an insulating film for the head-use wire 34 and the piezoelectric device-use wire 35.

[0071] The pair of elastic hinge portions 33d and 33e are placed at positions that are symmetrical with respect to the center line along the length direction of the load beam 20. More specifically, the pair of elastic hinge portions 33d and 33e are placed on a straight line in a right-angle direction with respect to the center line of the load beam 20, which passes through the protrusion 28 of the load beam 20.

[0072] As illustrated in FIG. 8, the head-use wire 34, patterned on the wiring substrate 33, includes a first head wire 34a and a second head wire 34b that are placed along the left side and a third head wire 34c and a fourth head wire 34d that are placed along the right side. These wires are extended to the flexure top end 33f where they respectively form lands 34a', 34b', 34c' and 34d'.

[0073] A first head wire 34a and a second head wire 34b are placed on the outside edge of the piezoelectric supporting portion 33a on the left side, and a ground wire 35d is placed along the slit 33c on the inner edge. The first and second head wires 34a and 34b are respectively extended to the flexure top portion 33f where they respectively form lands 34a' and 34b'. Moreover, a

third head wire 34c and a fourth head wire 34d are placed on the outside edge of the piezoelectric supporting portion 33b on the right side, and a ground wire 35d is placed along the slit 33c on the inner edge. The third and fourth head wires 34c and 34d are respectively extended to the flexure top portion 33f where they respectively form lands 34c' and 34d'.

[0074] As illustrated in FIG. 8, the land 35c' of the third piezoelectric member-use wire 35c is placed in the vicinity of the inner side end of the slit 33c, and the land 35a' of the first piezoelectric member-use wire 35a and the land 35b' of the second piezoelectric member-use wire 35b are placed on the right and left sides of the land 35c' in a symmetrical fashion. The land 35d' of the ground wire 35d is placed in the vicinity of the top end side of the slit 33c from which it passes through both of the sides of the slit 33c, and is connected to the land 35c' of the third piezoelectric device-use wire 35c.

[0075] As illustrated in FIG. 4, in its manufacturing process, the flexure 30, constituted by the flexure substrate 31, the slider supporting member 32 and the wiring substrate 33, is molded onto a stainless steel plate that is an original form of the flexure substrate 31 and the slider supporting member 32, in a manner so as to coat the head-use wire 34 and the piezoelectric member-use wire 35. After the molding process, a trimming process is carried out on the stainless steel plate through etching to form the flexure substrate 31 and the slider supporting member 32. Consequently, in its shape, the flexure substrate 31 and the slider supporting member 32 are connected to each other through the wiring substrate 33.

[0076] For convenience of explanation, with respect to the slider 50, a pitching direction D_p , a rolling direction D_r and a yawing direction D_y are given in FIG. 1 and FIG. 4.

[0077] The pitching direction D_p represents a rocking direction around the axis in the width direction of the load beam 20, the rolling direction D_r represents a rocking direction around the axis in the length direction of the load beam 20, and the yawing direction D_y is a rocking direction around the axis in the normal direction in the load beam 20.

[0078] The slider supporting member 32, which is connected to the flexure substrate 31 through the flexible wiring substrate 33, that is, in particular, through the pair of elastic hinge portions 33d and 33e and the flexure top portion 33f, is maintained in flexible states in both of the pitching direction D_p and the rolling direction D_r . Consequently, the slider supporting member 32 and the slider 50 located thereon are allowed to have a degree of freedom in the pitching direction D_p and the rolling direction D_r .

[0079] In this manner, the slider 50 is arranged so as to freely move in the pitching direction D_p as well as in the rolling direction D_r ; therefore, even when the surface of the magnetic disk 70 that rotates at high speeds is in a waving state, it is possible to provide a sufficiently

good floating characteristic of the slider 50 with respect to the surface of the magnetic disk 70.

[0080] With respect to the slider 50 that moves freely in either of the pitching direction Dp and rolling direction Dr, it is essential to allow it to smoothly rotate for tracking compensation by utilizing its free movements. This direction of pivotal movements is the yawing direction Dy. It is essential how to allow the yawing of the slider 50 to make a high-speed response to the tracking compensation, while maintaining free pitching and rolling of the slider 50.

[0081] The protrusion 28 on the load beam 20 that forms the center of pivotal movements of the slider supporting member 32 and the slider 50 is set to be located within the area range of the slider supporting member 32, as illustrated in FIG. 8, FIG. 5 and FIG. 12A.

[0082] As illustrated in FIG. 4 and FIG. 5, the slider supporting member 32 is constituted by a main section 32a connected to the flexure top portion 33f, a slider center-of-gravity supporting portion 32b for fixing the slider 50 on its center of gravity or in the vicinity thereof by being bent from the center of the back edge of the main section 32a, and a pair of right and left mass balancing sections 32c and 32d for providing a well balanced state of the main section 32a with respect to the slider center-of-gravity portion 32b. The slider center-of-gravity holding portion 32b is allowed to stick out through the slit 33c of the flexure 30 from the lower side to the upper side, with its lower face contacting the protrusion 28 of the load beam 20. The slider supporting member 32 the entire portion thereof is made of a sheet of metal plate, and the slider center-of-gravity holding portion 32b is formed by bending processes in the form of steps. This slider center-of-gravity holding portion 32b is allowed to stick out in the normal direction from the reference face of the slider supporting member 32.

[0083] A pair of mass balancing portions 32c and 32d are installed so as to connect to the slider supporting member 32, and the following description will discuss the advantage of this structure.

[0084] The flexure top portion 33f is provided with the lands 34a', 34b', 34c' and 34d' that are connected to the electrode terminals 52a, 52b, 52c and 52d of the slider 50. Therefore, the flexure top portion 33f needs to be reinforced. For this reason, the flexure top portion 33f is supported by the slider supporting member 32. However, it is not preferable to allow the slider supporting member 32 to contact the piezoelectric member supporting portions 33a and 33b. The slider supporting member 32 needs to freely move with respect to the piezoelectric member supporting portions 33a and 33b. FIG. 13A shows a simple solution for this arrangement.

[0085] FIG. 13B shows a comparative example. In FIG. 13B, reference numeral 32a' is a main section having a short rectangular shape and 32b is a slider center-of-gravity holding section. This shape satisfies the condition that the slider supporting member 32' is not allowed to contact the piezoelectric member supporting

portions 33a and 33b.

[0086] Since the slider 50 has its center of gravity supported by the protrusion 28, the slider 50 is well balanced in its mass with respect to the protrusion 28. However, in the case of a comparative example of FIG. 13B, it is not well balanced in its mass in the yawing direction Dy and the pitching direction Dp, centered on the protrusion 28. The mass is biased toward the side in the K direction with respect to the protrusion 28. Since the slider 50 and the slider supporting member 32' are allowed to pivot integrally, the mass balance needs to be properly set as a whole. Otherwise, the parallel property of the slider 50 with respect to the magnetic disk 70 is impaired.

[0087] In order to ensure a well-balanced state in its mass in either of the pitching direction Dp and the rolling direction Dr with respect to the protrusion 28 and to prevent the protrusion 28 from contacting the piezoelectric member supporting portions 33a and 33b, a slider supporting member 32 having a shape as shown in FIG. 13A is proposed. In this arrangement, the mass balancing portions 32c and 32d are extended from the main section 32a symmetrically in its right and left shapes. They are extended from the main section 32a outwards in the right and left directions, and also extended toward the base end side of the load beam 20. The mass balancing portions 32c and 32d are maintained so as not to contact the piezoelectric member supporting portions 33a, 33b; thus, it is possible to ensure free well-balanced movements of the slider supporting member 32 and the slider 50 around the protrusion 28 as the center of pivotal movements.

[0088] Next, an explanation will be given of the thin-film piezoelectric member unit 40. As illustrated in FIG. 6, the thin-film piezoelectric member unit 40 is provided with a first thin-film piezoelectric element 40a and a second thin-film piezoelectric element 40b that have a tong shape with their bases connected to each other, and a slit 40c is formed between these thin-film piezoelectric elements 40a and 40b. Here, a specific structure of this thin-film piezoelectric member unit 40 will be described later in detail.

[0089] As illustrated in FIG. 3, the slider 50 has a slider main body 51 made of ceramics on which the head 60 is installed with four electrode terminals 52a, 52b, 52c and 52d connected to the head 60 being embedded in column shapes. Here, one portion thereof is exposed to the surface. With respect to the head 60, for example, a composite-type magnetic head, which is constituted by a reproducing head consisting of an MR head or a GMR head utilizing the magnetic resistance effect and a recording head consisting of an inductive head, may be used.

[0090] The upper face of the slider main body 51 is formed as an air bearing face 53. The air bearing face 53 is arranged so that an air flow, generated by the high-speed rotations of the magnetic disk 70 (see FIG. 5), is applied along the pitching direction (tangential direction

of the magnetic disk) of the slider 50 to form an air lubricating film between it and the magnetic disk 70. This air lubricating film allows the slider 50 to float over the surface of the magnetic disk 70 with a minute gap.

[0091] Thus, explanations have been completed on the respective constituent elements such as the base plate 10, the load beam 20, the flexure 30, the thin-film piezoelectric member unit 40, the slider 50 and the head 60.

[0092] Next, explanations will be given of mutual relationships among the respective constituent elements.

[0093] As illustrated in FIG. 1 and FIG. 2, the load beam 20 is integrally secured to the base plate 10 in its base end 21 through a beam welding, etc. The flexure 30 is integrally secured to the load beam 20 except its top portion through a beam welding or a bonding agent.

[0094] As illustrated in FIG. 1 (also see FIG. 2), the terminal holding section 33Y of the flexure 30 is secured to the base end 21 of the load beam 20, the substrate main section 33X is secured to the beam main section 24 except a portion corresponding to the thin-film piezoelectric member unit 40 on its top end side, and the flexure top portion 33f is placed on the supporting section 25. At this time, a pair of right and left piezoelectric supporting portions 33a, 33b in the flexure 30 are not secured to the beam main section 24. Thus, the pair of piezoelectric supporting portions 33a, 33b are maintained free without being secured so that the displacement (extension and contraction) of these piezoelectric supporting portions 33a, 33b is freely allowed. The displacement is generated by the first and second thin-film piezoelectric member units 40a and 40b. The slider supporting member 32 and the flexure top portion 33f are not secured to the beam main section 24.

[0095] Moreover, as illustrated in FIG. 5, the protrusion 28 of the load beam 20 is allowed to contact the slider center-of-gravity portion 32b that has been bent into a stepped shape in the slider supporting member 32. To the load beams 20 are applied pressing forces exerted by the plate spring portions 27a and 27b on its base end side in the normal direction. These pressing forces are exerted on the slider center-of-gravity holding portion 32b from the protrusion 28. On the other hand, the slider 50 is pressed toward the slider supporting member 32 by the air flow on the surface of the magnetic disk 70 being rotated at high speeds. As a result, the protrusion 28 and the slider center-of-gravity holding portion 32b are allowed to make a point contact with each other, and with respect to the relative shift, a frictional force is exerted. The protrusion 28 of the load beam 20 is allowed to stick out upward from the lower side through the slit 33c between the pair of right and left piezoelectric member supporting portions 33a and 33b.

[0096] As illustrated in FIG. 9A and FIG. 9B, a pair of right and left thin-film piezoelectric elements 40a and 40b of the thin-film piezoelectric member unit 40 are integrally bonded to the pair of right and left piezoelectric

member supporting portions 33a and 33b. With respect to the wiring connection to the thin-film piezoelectric member unit 40, the description thereof will be given later.

5 [0097] The slider 50 bearing the head 60 is integrally bonded and secured to the step-shaped slider center-of-gravity holding portion 32b of the slider supporting member 32 and the flexure top portion 33f (see FIG. 5). The front end lower edge of the slider 50 is bonded to the flexure top portion 33f, and the geometric center of the lower face of the slider 50, that is, the center of gravity, is bonded to the upper face of the step-shaped slider center-of-gravity portion 32b. The electrode terminals 52a, 52b, 52c and 52d (see FIG. 3) of the slider 50 are electrically connected to the lands 34a', 34b', 34c', and 34d' (see FIG. 4 and FIG. 8) in the flexure top portion 33f.

10 [0098] As illustrated in FIG. 1, the slider supporting member 32 is inserted between a pair of right and left regulating sections 26a, 26b on the top portion of the load beam 20, and regulated in its position so that the protrusion 28 and the slider center-of-gravity holding portion 32b are not separated greatly from each other (see FIG. 10).

15 [0099] The slider 50, the slider supporting member 32 and the flexure top portion 33f are integrally formed as a subject of pivotal movements. This subject of pivotal movements is allowed to pivot around the protrusion 28 of the load beam 20 as the center of pivotal movements, with being elastically deformed at the portions of elastic hinge portions 33d and 33e each having a necked shape.

20 [0100] Next, an explanation will be given of a specific structure of the thin-film piezoelectric member unit 40. FIG. 6 is a plan view showing the thin-film piezoelectric member unit 40. FIG. 7 is a cross-sectional view taken along line A-A in FIG. 6. For convenience of explanation, in FIG. 7, the scale in the thickness direction is set to be greater than the actual scale.

25 [0101] The thin-film piezoelectric member unit 40 is provided with a first thin-film piezoelectric element 40a and a second thin-film piezoelectric element 40b that are provided as right and left portions connected only at their foos with a tong shape through a slit 40c.

30 [0102] The first thin-film piezoelectric element 40a and the second thin-film piezoelectric element 40b are the same in their structure. The structure is explained as follows: An upper thin-film piezoelectric element 41 and a lower thin-film piezoelectric element 42 are stacked, and integrally joined to each other through a conductive bonding agent 43. The upper thin-film piezoelectric element 41 is formed by integrally forming a first electrode 41a and a second electrode 41b on both of the surfaces of a thin-film piezoelectric member 41p, and in the same manner, the lower thin-film piezoelectric member 42 is formed by integrally forming a third electrode 42c and a fourth electrode 42d on both of the surfaces of a thin-film piezoelectric member 42p. These electrodes are made of metal thin films. The conductive

bonding agent 43 is interpolated between the second electrode 41b and the third electrode 42c so that these two electrodes are integrally joined.

[0103] Here, the right and left thin-film piezoelectric elements 40a and 40b are entirely coated with a flexible coating resin 44 into an integral member.

[0104] FIG. 9A is a cross-sectional view taken along line B-B in FIG. 8. FIG. 9B is a cross-sectional view that is irregularly cut so as to clearly show the wiring state of FIG. 9B.

[0105] As illustrated in FIG. 6, FIG. 7, FIG. 8 and FIG. 9B, connecting holes 45a and 45b are respectively formed on the base portions of the right and left thin-film piezoelectric elements 40a and 40b, and these connecting holes 45a and 45b are filled with ground metal films 47a and 47b for electrically connecting the second electrode 41b and the third electrode 42c.

[0106] As illustrated in FIG. 9A and FIG. 9B, the first thin-film piezoelectric elements 40a and the second thin-film piezoelectric elements 40b are placed on the piezoelectric supporting portions 33a and 33b of the wiring substrate 33 in the flexure 30, and integrally joined to each other by an adhesive agent.

[0107] In FIG. 8, the thin-film piezoelectric member unit 40 is indicated by a chain line. The first thin-film piezoelectric element 40a on the left side is placed between the first and second head wires 34a, 34b and the ground wire 35d. Moreover, the second thin-film piezoelectric element 40b on the right side is placed between the third and fourth head wires 34c, 34d and the ground wire 35d.

[0108] As illustrated in FIG. 8 and FIG. 9B, in the first thin-film piezoelectric element 40a on the left side, the first electrode 41a on the upper side of the upper thin-film piezoelectric element 41 and the fourth electrode 42d on the lower side of the lower thin-film piezoelectric element 42 are connected to the land 35a' of the first piezoelectric member-use wire 35a respectively through a wire bond line 46a. Moreover, in the second thin-film piezoelectric element 40b on the right side, the first electrode 41a on the upper side of the upper thin-film piezoelectric element 41 and the fourth electrode 42d on the lower side of the lower thin-film piezoelectric element 42 are connected to the land 35b' of the second piezoelectric member-use wire 35b respectively through a wire bond line 46b.

[0109] A positive voltage is applied to the first piezoelectric member-use wire 35a and the second piezoelectric member-use wire 35b (see FIG. 11A). Therefore, in the thin-film piezoelectric elements 40a, 40b, of the two electrodes that sandwich the thin-film piezoelectric members 41p and 42p, the positive voltage is applied to the first electrode 41a and the fourth electrode 42d that are located on both of the outer sides.

[0110] In the right and left thin-film piezoelectric elements 40a and 40b of the thin-film piezoelectric member unit 40, ground metal films 47a, 47b are formed in the respective connecting holes 45a and 45b (see FIG. 6

and FIG. 8) by being filled therein, and through these ground metal films 47a, 47b, the second electrodes 41b on the lower side of the upper thin-film piezoelectric element 41 and the third electrode 42c on the upper side of the lower thin-film piezoelectric element 42 are connected to each other in a short-circuiting manner. Moreover, the ground metal films 47a, 47b are connected to the land 35c' of the third piezoelectric member-use wire 35c through the respective wire bonds lines 48a, 48b (see FIG. 8 and FIG. 9B). The third piezoelectric member-use wire 35c is connected to the ground. Therefore, in the thin-film piezoelectric elements 40a, 40b, of the two electrodes that sandwich the thin-film piezoelectric members 41p and 42p, the ground voltage is applied to the second electrode 41b and the third electrode 42c that are located on both of the inner sides (see FIG. 11A).

[0111] As illustrated in FIG. 2, the head-use wire 34 consisting of the first head wire 34a, the second head wire 34b, the third head wire 34c and the fourth head wire 34d is extended from the connecting portion 33Z having a crank shape further to the terminal holding section 33Y, and connected to an external connecting land 36 formed on the terminal holding section 33Y. Moreover, the piezoelectric member-use wire 35 consisting of the first piezoelectric member-use wire 35a, the second piezoelectric member-use wire 35b, the third piezoelectric member-use wire 35c and the ground wire 35d is extended from the connecting portion 33Z further to the terminal holding section 33Y, and connected to an external connecting land 37 formed on the terminal holding section 33Y. The external connecting lands 36 and 37 are connected to an external driving circuit (not shown).

[0112] As illustrated in FIG. 11A, the first piezoelectric member-use wire 35a and the second piezoelectric member-use wire 35b are connected to a common high electric potential side driving wire 35ab, and connected to a high electric potential side power supply terminal in a power-supply circuit (not shown) through the land 37 in the terminal holding section 33Y. The third piezoelectric member-use wire 35c is connected to the ground in the power-supply circuit through the land 36 in the terminal holding section 33Y.

[0113] Next, an explanation will be given to an attaching process of the slider 50 to the flexure 30. The slider 50 is attached to the slider supporting member 32 on the top end of the flexure 30, and the geometric center of the lower face of the slider 50, that is, the center of gravity, is allowed to contact the step-shaped slider center-of-gravity holding portion 32b in the slider supporting member 32, and the front end lower edge of the slider 50 is allowed to contact the flexure end portion 33f on the slider supporting member 32; thus, these members are integrally joined and secured to the contact portions through an adhering agent. Lands 34a', 34b', 34c' and 34d' on the flexure top portion 33f in the end of the head-use wire 34 and the electrode terminals 52a, 52b, 52c and 52d of the slider 50 used for making connec-

tions to the head 60 are connected to each other electrically as well as physically through a conductive bonding agent, etc.

[0114] By interpolating the sliding supporting member 32 having the slider center-of-gravity holding portion 32b between the load beam 20 and the slider 50, the following advantages can be obtained.

[0115] The alternation in a specification of the magnetic disk apparatus sometimes causes a difference in the relative orientation angle of the slider 50 with respect to the magnetic disk 70, in particular, in the inclination in the pitching direction. Not providing a solution for each of the specifications, the load beam 20 and slider 50 are set as commonly-used components and the dimension of the step difference and the like of the slider center-of-gravity holding portion 32b that has been subjected to bending processes into a stepped shape is adjusted in the slider supporting member 32 so that the inclination angle in the pitching direction of the slider 50 is properly set; thus, it is possible to easily respond to the variations in a plurality of specifications.

[0116] Next, an explanation will be given of the operation of the head supporting mechanism 100 in the preferred embodiment having the above-mentioned arrangement.

[0117] FIG. 11B and FIG. 11C show examples of waveforms of voltages that are applied to the first thin-film piezoelectric element 40a on the left side and the second thin-film piezoelectric element 40b on the right side in a tracking compensation control in which in the case of off-track of the head 60 from a target track, the returning process to the target track is carried out. V_0 represents a bias voltage that is equally applied to both of the right and left thin-film piezoelectric elements 40a, 40b while the head 60 is maintained on the target track.

[0118] In a tracking compensation control in the case of off-track of the head 60, voltages having mutually reversed phases are applied to the first thin-film piezoelectric element 40a and the second thin-film piezoelectric element 40b.

[0119] Pre-format information signals, such as a tracking-use servo signal, an address information signal and a reproducing clock signal, are preliminarily recorded on the magnetic disk 70. The head 60, which faces the magnetic disk 70 rotating at a high speed with a fine gap, reproduces the pre-format information signals, and transmits these to the head positioning control section 8 shown in FIG. 19. The head positioning control section 8 carries out predetermined operations based upon the tracking-use servo signal, generates a driving signal for the tracking compensation, and transmits this to the two thin-film piezoelectric elements 40a and 40b. Thus, voltages having mutually reversed polarities with respect to the bias voltage V_0 as a reference are applied to the two thin-film piezoelectric elements 40a and 40b.

[0120] When the head 60 has a positional deviation from the target track in the radial direction outside the magnetic disk 70, the voltage control is carried out in

such a manner that, in period T_1 shown in FIG. 11B and FIG. 11C, the applied voltage to the first thin-film piezoelectric element 40a increases with respect to the bias voltage V_0 and in synchronism with this, the applied voltage to the second thin-film piezoelectric element 40b reduces with respect to the bias voltage V_0 . Thus, the head 60 is returned inside in the radial direction. Here, the head 60 is further displaced inside in the radial direction, exceeding the target track due to an overshoot at this time. Then, the controlling operation proceeds to an operation during period T_2 .

[0121] In period T_2 , the voltage control is carried out in such a manner that in a manner reversed to period T_1 , the applied voltage to the first thin-film piezoelectric element 40a reduces with respect to the bias voltage V_0 , and in synchronism with this, the applied voltage to the second thin-film piezoelectric element 40b increases with respect to the bias voltage V_0 . Thus, the head 60 is returned outside in the radial direction.

[0122] FIG. 12B schematically shows the structure shown in FIG. 12A. The piezoelectric member supporting portion 33a on the left side and the first thin-film piezoelectric element 40a form a first beam B1, the piezoelectric member supporting portion 33b on the right side and the second thin-film piezoelectric element 40b form a second beam B2, the slider supporting member 32 and the flexure top portion 33f constitute a link L, the protrusion 28 and the step-shaped slider center-of-gravity portion 32b constitute the center O of pivotal movements of the link L, the slider 50 forms an arm A1 that is an integral member with the link L having a length d, and the head 60 is located at the top of the arm A1.

[0123] The link L is allowed to freely pivot relatively on both of its ends with respect to the first beam B1 and the second beam B2. This movement is exerted by the elastic hinge portions 33d and 33e having a necked shape. The elastic hinge portions 33d and 33e constitute rocking fulcrums C1 and C2. The elastic hinge portions 33d and 33e have flexible structures in the pitching direction D_p , the rolling direction D_r and the yawing direction D_y of the slider 50, thereby giving a desired floating characteristic to the slider 50 with respect to the magnetic disk 70. Both of the beams B1 and B2 constitute a translational link mechanism. Here, the link mechanism constituted by the two beams B1 and B2 are not necessarily limited to parallel links, and the parallelism of the two beams B1 and B2 is not essential as long as the two beams B1 and B2 are symmetrical.

[0124] For example, as shown in FIG. 12A, during period T_1 , in the case when the first thin-film piezoelectric element 40a contracts in the direction of arrow D in its length direction, the second thin-film piezoelectric element 40b is allowed to extend reversely in the direction of arrow E. During period T_2 , the directions of the contraction and extension are reversed from the above-mentioned directions.

[0125] The extending and contracting forces of mutually reversed directions of the first thin-film piezoelectric

element 40a and the second thin-film piezoelectric element 40b are transmitted to the pair of piezoelectric member supporting portions 33a, 33b that are integrally joined in their lower sides. The piezoelectric member supporting portions 33a, 33b and the flexure top portion 33f are joined to each other through the elastic hinge portions 33d, 33e, each having a necked shape. The flexure top portion 33f fixedly secures the front end lower edge of the slider 50.

[0126] The contracting force along the arrow direction D is exerted on the piezoelectric member supporting portion 33a on the left side, while at the same time, the extending force along the arrow direction E is exerted on the piezoelectric member supporting portion 33b on the right side, so that the flexure top portion 33f makes a head-shaking movement in the arrow F direction together with the slider supporting member 32 that supports its lower side through the elastic hinge portions 33d, 33e. This movement takes place during period T_1 . During period T_2 , the head-shaking movements of the flexure top portion 33f and the slider supporting member 32 take place in the direction reversed to the arrow F direction.

[0127] The slider supporting member 32 and the flexure top portion 33f are integral members. The front end lower edge of the slider 50 is fixedly bonded to the flexure top portion 33f (see FIG. 5), its electrode terminals 52a, 52b, 52c and 52d are respectively connected to the lands 34a', 34b', 34c' and 34d' electrically in the flexure top portion 33f, the lower face of the slider 50 is secured to the step-shaped slider center-of-gravity holding portion 32b of the slider supporting portion 32 in its center of gravity (geometric center), and the lower face of the slider center-of-gravity holding portion 32b is supported by the protrusion 28 of the load beam 20 in a non-fixed state. Therefore, when the slider supporting member 32 and the flexure top portion 33f are allowed to make the head-shaking operations, the head-shaking operations take place at the portion of the step-shaped slider center-of-gravity holding portion 32b, with the protrusion 28 serving as the center of pivotal movements. Consequently, the slider 50 also carries out the head-shaking operation with the protrusion 28 serving as the center of pivotal movements so that the head 60, placed in the center of the front edge face of the slider 50, is allowed to pivot with the protrusion 28 serving as the center of pivotal movements. In other words, it is shifted in the arrow F direction or in the reversed direction thereof, and this direction is a transversing direction of the track in the magnetic disk 70. Here, in FIG. 12B, d represents the rotation radius of the head 60 with the protrusion 28 serving as the center O of pivotal movements.

[0128] In the load beam 20, the beam main section 24 to which the wiring substrate 33 that is the main section of the flexure 30 is attached is supported on the base portion 21 through a pair of plate spring sections 27a, 27b so that a pressing force in the normal direction is applied by the plate spring sections 27a, 27b to the

beam face of the beam main section 24. The pressing force on the beam main section 24 is applied to the slider 50 from the protrusion 28 through the slider center-of-gravity holding portion 32b as a load. This load is set to, for example, 20 to 30 mN (milli-Newton). This load is exerted between the protrusion 28 and the slider center-of-gravity holding portion 32b so that a frictional force is exerted; therefore, although the slider supporting member 32 is allowed to pivot around the protrusion 28 serving as the center of pivotal movements, it is free from any other positional deviations. In other words, the protrusion 28 and the slider center-of-gravity holding portion 32b are only allowed to contact each other, and do not have any bearing structure; however, the above-mentioned frictional force achieves the pivotal movements of the slider supporting member 32 and the slider 50 around the protrusion 28 without causing any positional deviations. Moreover, in the case of the application of any bearing structure, there is any adverse effect in the pitching operation and the rolling operation in the slider 50; however, in the embodiment of the present invention, since there is no bearing structure, it is possible to smoothly carry out the pitching operation and the rolling operation of the slider 50. In addition, it is also possible to smoothly carry out the yawing operation in the slider 50 that is a pivotal movement centered on the protrusion 28.

[0129] A detailed explanation will be given of the operations in which the thin-film piezoelectric element 40a on the left side is allowed to contract while the thin-film piezoelectric element 40b on the right side is allowed to extend.

[0130] When the thin-film piezoelectric element 40a on the left side is allowed to contract, the contracting force is directly exerted on the elastic hinge portion 33d on the left. The elastic hinge portion 33d is drawn toward the base end side so that the slider supporting member 32 is displaced in the F direction around the protrusion 28. The transmission of this displacement is absorbed and alleviated by the portion of the elastic hinge portion 33e on the right side, which is located on the opposite side, with the result that it is not exerted on the thin-film piezoelectric element 40b on the right side that is allowed to extend. The reason for this is just because the elastic hinge portion 33e has a necked shape and constitutes the fulcrum C2 for rocking movements, as explained from the dynamical point of view by reference to FIG. 12B.

[0131] In contrast, when the thin-film piezoelectric element 40b on the right side is allowed to extend, the extending force is directly exerted on the elastic hinge portion 33e on the right side. The elastic hinge portion 33e is pushed toward the free end side so that the slider supporting member 32 is displaced in the F direction around the protrusion 28. The transmission of this displacement is absorbed and alleviated by the portion of the elastic hinge portion 33d on the left side, which is located on the opposite side, with the result that it is not

exerted on the thin-film piezoelectric element 40a on the left side that is allowed to contract. The reason for this is just because the elastic hinge portion 33d has a necked shape and constitutes the fulcrum C1 for rocking movements, as explained from the dynamical point of view.

[0132] As a result, the pair of thin-film piezoelectric elements 40a, 40b allows the portion of the flexure top portion 33f that is located virtually closer to the free end side than to the pair of elastic hinge portions 33d, 33e to pivot around the protrusion 28, while virtually maintaining the symmetrical property with each other. In other words, the extending and contracting operations of the pair of thin-film piezoelectric elements 40a, 40b, that is, the extending operation of one element and the contracting operation of the other, are smoothly achieved without any interference with each other. Consequently, it is possible to allow the slider supporting member 32 and the slider 50 to smoothly pivot with less resistance by using a smaller driving force.

[0133] Referring to FIG. 14A, an explanation will be given of the advantage of the fact that the slider supporting member 32 and the slider 50 are supported so as to freely pivot by the protrusion 28 placed on the free end side of the load beam 20. FIG. 14B and FIG. 14C show comparative examples.

[0134] As illustrated in FIG. 14B, a suspension arm 202 is attached to an actuator arm 201 through a supporting shaft 203 so as to freely pivot thereon, a slider 204 is attached to the free end of the suspension arm 202, and a pair of thin-film piezoelectric elements 205a, 205b are attached to the actuator arm 201; thus, the suspension arm 202 is allowed to rock around the supporting shaft 203 by the extending and contracting operations of the thin-film piezoelectric elements 205a, 205b.

[0135] The effective radius of the rocking movements of the head (not shown) installed on the slider 204 is set to L2 occupied by the suspension arm 202 located closer to the free end than to the supporting shaft 203 and the slider 204, which is considerably long.

[0136] In contrast, in the case of the embodiment of the present invention, as illustrated in FIG. 14A, the head 60 installed on the slider 50 has its center of pivotal movements on the protrusion 28 that is placed at a position sufficiently shifted toward the free end side in the length direction of the load beam 20. The effective radius of the pivotal movements of the head 60 is L1, which is sufficiently shorter in comparison with the case shown in FIG. 14B.

[0137] In the case of FIG. 14C, a load beam 302 is attached to an actuator arm 301. The load beam 302 is constituted by a pair of elastic beams 302a, 302b and a connecting portion 302c of these. A slider 303 is attached to the connecting portion 302c. Thin-film piezoelectric elements 304a, 304b are affixed to the surface of the beams 302a, 302b.

[0138] One of the paired thin-film piezoelectric elements 304a, 304b is allowed to extend, while the other

is allowed to contract so that, as illustrated in FIG. 14D, one of the paired beams 302a, 302b is allowed to extend while the other is allowed to contract. Thus, the slider 303 is laterally displaced together with the connecting portion 302c of the pair of beams 302a, 302b.

[0139] However, in this case, the beam 302b on the extending side acts on the other beam 302a through the connecting portion 302c so as to prevent it from contracting; in contrast, the beam 302a on the contracting side acts on the other beam 302b through the connecting portion 302c so as to prevent it from extending. In other words, not by pivotal movements around the pivotal center, but by simultaneous actions between pushing and drawing, the slider 303 is displaced laterally. That is, this arrangement causes a state in which a comparatively large reactive force is generated. This arrangement requires a greater force, and fails to carry out a smooth displacement in the slider 303.

[0140] In contrast, in the case of the embodiment of the present invention, pivotal movements are carried out by a translational link mechanism around the protrusion 28 on the free end side of the load beam 20 serving as the center of pivotal movements, and the fulcrum for racking movements of the link mechanism is constituted by elastic hinge portions 33d, 33e so that it is possible to smoothly carry out the displacement of the slider 50 by using a smaller force.

[0141] In accordance with the embodiment of the present invention, by the above-mentioned interactive effects, it is possible to allow the head to make a fine displacement at high speeds with high precision without a delay in response, in the tracking compensating operation.

[0142] Next, an explanation will be given of the effects of the positional relationship between the protrusion 28 in the load beam 20 that forms the center of pivotal movements and the pair of elastic hinge portions 33d, 33e.

[0143] Here, referring to FIGS. 15A to FIG. 15E, the explanation will be given. Reference numeral 80a is a fulcrum corresponding to the protrusion 28 of the load beam, 81a and 81b are first and second displacement members corresponding to the pair of thin-film piezoelectric elements 40a, 40b, reference numerals 82a and 82b are first and second rocking fulcrums corresponding to the pair of elastic hinge portions 33d and 33e, and reference numeral 90 is a subject for pivotal movements corresponding to slider supporting member 32 and a slider 50.

[0144] In the case of the embodiment of the present invention, as illustrated in FIG. 15A, when a straight line X is drawn in a right angle direction with respect to the center line Y of the load beam 80 passing through the center 80a of pivotal movements, the pair of rocking fulcrums 82a, 82b are located on the straight line X. In other words, the middle point 82c of the rocking fulcrums 82a, 82b is coincident with the fulcrum 80a.

[0145] In the case of a comparative example shown

in FIG. 15C, the pair of rocking fulcrums 82a, 82b are separated from the straight line X. There is an offset of Δy between the middle point 82c of the pair of rocking fulcrums 82a, 82b and the fulcrum 80a.

[0146] With respect to the comparative example, an explanation will be given of an operation in the case when, as illustrated in FIG. 15D, the subject 90 for pivotal movements is allowed to pivot in the direction of arrow F. Simultaneously as the first displacement member 81a is allowed to contract in the direction of arrow D, the second displacement member 81b is allowed to extend in the direction of arrow E. In direct operations, the subject 90 for pivotal movements tries to pivot centered on the middle point 82c of the pair of rocking fulcrums 82a, 82b. However, in fact, the actual center of pivotal movements is placed on the fulcrum 80a due to a frictional force at the contact point between the fulcrum 80a and the subject 90 for pivotal movements. Due to such a mismatching in the transmission of the action force, the pair of displacement members 81a, 81b are displaced in the direction of arrow H opposite to the direction of arrow F. Moreover, a frictional force is generated in the direction of arrow I_1 in the subject 90 for pivotal movements, while a reactive force is generated in the direction of arrow I_2 in the fulcrum 80a, at the contact point between the subject 90 for pivotal movements and the fulcrum 80a. These form a couple of forces, with the result that as illustrated in FIG. 15E, the load beam 80 is twisted in the direction of arrow K.

[0147] In contrast, in the case of the embodiment of the present invention, as illustrated in FIG. 15A, the middle point 82c of the pair of rocking fulcrums 82a, 82b is coincident with the supporting point 80a; therefore, as illustrated in FIG. 15B, when the subject 90 for pivotal movements is allowed to pivot in the arrow F direction, action forces react symmetrically with respect to the center line Y, resulting in no twisting movement in the load beam 80. In other words, it is possible to effectively carry out the transmission of the reaction force and consequently to improve the responding property.

[0148] Next, an explanation will be given of an advantage obtained by the fact that the center of gravity of the subject for pivotal movements and the center of pivotal movements are coincident with each other.

[0149] As illustrated in FIG. 16A, in the case of the embodiment of the present invention, the center of gravity G of the subject 90 for pivotal movements and the center 80a of pivotal movements of the subject 90 for pivotal movements are coincident with each other.

[0150] In the case of a comparative example shown in FIG. 16C, the center 80a of pivotal movements of the subject 90 for pivotal movements has an offset from the center of gravity G of the subject 90 for pivotal movements.

[0151] In the case of the comparative example, an explanation will be given of an operation in which the subject 90 of pivotal movements is allowed to pivot in the direction of arrow F. As illustrated in FIG. 16D, simulta-

neously as the first displacement member 81a is allowed to contract in the direction of arrow D, the second displacement member 81b is allowed to extend in the direction of arrow E. The subject 90 for pivotal movements is allowed to rotate centered on the fulcrum 80a that is coincident with the middle point 82c of the pair of rocking fulcrums 82a and 82b. The pivotal movement of this subject 90 for pivotal movements is exerted as a moment in the center of gravity G centered on the fulcrum 80a. However, in the case when the center of gravity and the center of pivotal movements are not coincident with each other, a reactive force R is generated in the fulcrum 80a that is the center of pivotal movements, as illustrated in FIG. 16E. This reactive force R is exerted on the pair of displacement members 81a, 81b so that the displacement members 81a, 81b are displaced in the direction of arrow H that is opposite to the direction of arrow F. This serves as an action for returning the subject 90 for pivotal movements in the reversed direction, causing a delay in response in the tracking compensation.

[0152] In contrast, in the case of the embodiment of the present invention, as illustrated in FIG. 16A, the fulcrum 80a that is coincident with the middle point of the pair of rocking fulcrums 82a, 82b is also coincident with the center of gravity G of the subject 90 for pivotal movements; therefore, as illustrated in FIG. 16B, when the subject 90 for pivotal movements is allowed to pivot in the direction of arrow F, the active forces are exerted symmetrically with respect to the center line Y so that no returning active force is generated in the displacement members 81a, 81b. In other words, the transmission of the active force is effectively carried out, and it becomes possible to improve the responding property.

[0153] As illustrated in FIG. 17A, in the embodiment of the present invention, the thin-film piezoelectric elements 40a, 40b are affixed on the piezoelectric member supporting portions 33a, 33b of the flexure 30, and in the same manner, the head-use wire 34 is formed on the piezoelectric member supporting portions 33a, 33b. With respect to the thin-film piezoelectric element 40a on the left side, the head-use wire 34 is placed as a combination of the first head wire 34a, the second head wire 34b and the ground wire 35d, and with respect to the thin-film piezoelectric element 40b on the right side, it is placed as a combination of the third head wire 34c, the fourth head wire 34d and the ground wire 35d. The thickness of these wires is made sufficiently large so as to have a height equal to the height of the thin-film piezoelectric elements 40a, 40b. These wires are constituent elements of the flexure 30. In other words, a neutral axis 30n in the center in the thickness direction of the flexure 30 is made coincident with a neutral axis 40n of the thin-film piezoelectric elements 40a, 40b.

[0154] The following description will discuss an advantage of this arrangement in which the neutral axis 30n and the neutral axis 40n are coincident with each other.

[0155] FIG. 17B and FIG. 17C are comparative examples each of which is provided with piezoelectric supporting portions 33a, 33b in which wires 34e and 34f are embedded, and on these are affixed thin-film piezoelectric elements 40a, 40b. Since the wires 34e, 34f are embedded inside the piezoelectric supporting portions 33a, 33b, the neutral axis 30n of the flexure (elastic hinge) and the neutral axis 40n of the thin-film piezoelectric elements 40a, 40b has a step difference of Δt .

[0156] FIG. 17D shows a state in which after voltages having reversed polarities have been alternately applied to the thin-film piezoelectric elements 40a, 40b, a mechanical resonance is generated. This resonance generates vibration 88 in the normal direction at the flexure. In the case of the comparative example, since the neutral axis 30n of the flexure and the neutral axis 40n of the thin-film piezoelectric elements has the step difference of Δt , the step difference comes to form an arm 45 of moment in the vibration. Then, the vibration of the flexure is amplified through the arm 45 so that a phenomenon is induced with the result that the elastic hinge portions 33d, 33e are vibrated in the direction of arrow M. This causes unnecessary movements in the pitching direction in the slider.

[0157] In contrast, in the embodiment of the present invention, as illustrated in FIG. 9A and FIG. 17A, the neutral axis 30n of the flexure and the neutral axis 40n of the thin-film piezoelectric elements are coincident with each other so that no arm of moment is given; therefore, even if the flexure 30 is vibrated by the mechanical resonance, it is possible to regulate its amplitude. As a result, the tracking compensation control is carried out at high speeds with high precision.

[0158] Here, in the explanation of the above-mentioned embodiment, in the flexure 30, the left side piezoelectric supporting portion 33a and the right side piezoelectric supporting portion 33b are separated from each other by the slit 33c; however, with respect to another arrangement beside this, these two piezoelectric supporting sections 33a, 33b may be integrally connected to each other on a flat face. In this case, it is possible to provide a function for regulating unwanted vibrations in the normal direction in the thin-film piezoelectric unit 40.

[0159] With respect to the step-shaped slider center-of-gravity holding portion 32b of the flexure 30, instead of the bending process of the slider supporting member 32 into a stepped shape, as illustrated in FIG. 18, simultaneously as the patterning of the wiring is carried out on the wiring substrate 33, protrusions may be formed. In this arrangement, in the flexure top portion 33f, a portion facing the slit 33c is expanded toward the slit 33c side, and on its expanded portion 33g, a protrusion 33h which supports the slider 50 so as to freely pivot on its center of gravity or in the vicinity thereof is formed. Although this arrangement is inferior in its applicability to a plurality of specifications, it is possible to eliminate the bending process for the stepped shape.

[0160] While there has been described what is at present considered to be preferred embodiments of the invention, it will be understood that various modifications may be made therein, and it is intended to cover in the appended claims all such modifications as fall within the true spirit and scope of this invention.

Claims

1. A head supporting mechanism comprising:

a slider on which a head for recording and reproducing data on and from a recording medium is installed;
a slider supporting member for supporting said slider;
a slider supporting beam a base side of which is attached to an actuator arm and a free end of which is provided with said slider supporting member so as to freely pivot thereon; and
a displacement member which makes a displacement so that said slider supporting member is allowed to pivot together with said slider.

2. The head supporting mechanism according to claim 1, wherein said slider supporting member is supported by said slider supporting beam at a position corresponding to a center of gravity of said slider or in the vicinity thereof.

3. The head supporting mechanism according to claim 1, wherein: a pair of displacement members are placed in a symmetric manner with respect to a center line along the length direction of said slider supporting beam passing through the center of rotation of said slider supporting member, and with respect to extending and contracting operations of the pair of displacement members, either one of them is extended, with the other being contracted, so that they are allowed to carry out respective operations in directions opposite to each other.

4. The head supporting mechanism according to claim 1, wherein: said slider supporting beam is formed as a load beam having an elasticity, and said load beam and said slider supporting member are connected to each other through a flexure for providing wiring to said head in said slider, and a protrusion placed on a free end of said load beam is allowed to contact said slider supporting member so that said protrusion supports said slider supporting member so as to freely pivot thereon centered on said protrusion serving as a pivotal center.

5. The head supporting mechanism according to claim 4, wherein said displacement member is constituted by a thin-film piezoelectric member affixed to

said flexure.

6. The head supporting mechanism according to claim 4, wherein in said flexure, at two portions that are symmetrical with respect to the center line of said load beam passing through said protrusion, a pair of elastic hinge portions, each having a necked shape, are formed. 5
7. The head supporting mechanism according to claim 6, wherein said pair of elastic hinge portions are placed on a straight line in a right angle direction with respect to the center line of said load beam, which passes through said protrusion. 10
8. The head supporting mechanism according to claim 6, wherein: a pair of thin-film piezoelectric elements are placed as said displacement members, said pair of thin-film piezoelectric elements being symmetrically placed with respect to the center line of said load beam, while passing through said protrusion, said pair of thin-film piezoelectric elements are bonded to said flexure, and with respect to extending and contracting operations in said pair of thin-film piezoelectric elements, either one of said pair of thin-film piezoelectric elements is extended with the other being contracted so as to carry out operations in mutually reversed directions. 20
9. The head supporting mechanism according to claim 1, wherein said slider supporting member is supported so as to freely pivot on a position of the center of gravity of an entire subject of pivotal movements comprising said slider and said slider supporting member. 25
10. The head supporting mechanism according to claim 4, wherein said slider supporting member is constituted by a main section to be connected to said flexure and a slider center-of-gravity holding section, said center-of-gravity holding section being successively connected to the main section so as to allow the protrusion on said load beam to contact and to fix said slider in its center of gravity or in the vicinity thereof. 30
11. The head supporting mechanism according to claim 10, wherein said slider supporting member is provided with a mass balancing section for balancing the mass of said main section with respect to said slider center-of-gravity holding section, in addition to said main section and said slider center-of-gravity holding section. 35
12. The head supporting mechanism according to claim 10, wherein said slider center-of-gravity holding section has an arrangement in which a portion successively extending integrally from said main sec- 40

tion is formed by a bending process.

13. The head supporting mechanism according to claim 10, wherein said slider center-of-gravity holding section is formed by integrally molding it together with a molding process of a wiring-use flexible substrate of said flexure. 45
14. The head supporting mechanism according to claim 6, wherein said pair of elastic hinge portions are placed within a slider area range of said slider, in a stacking direction of said slider and said slider supporting member. 50
15. The head supporting mechanism according to claim 5, wherein said thin-film piezoelectric member is constituted by a plurality of the thin-film piezoelectric elements that are stacked, with voltage-applying directions of a plurality of the thin-film piezoelectric elements being set opposite to each other. 55
16. The head supporting mechanism according to claim 8, wherein with respect to said pair of thin-film piezoelectric members, a bias voltage is applied in its initial conditions, and based upon said bias voltage, voltages having mutually reversed polarities are applied in its extending and contracting operations. 60
17. The head supporting mechanism according to claim 4, wherein wires in said flexure are placed along end edges of said flexure on both of outsides of said thin-film piezoelectric member that is bonded to the flexure. 65
18. The head supporting mechanism according to claim 17, wherein said flexure and said thin-film piezoelectric member are arranged so that neutral axes on the center in a thickness direction of the two members are set to be virtually coincident with each other. 70
19. The head supporting mechanism according to claim 5, wherein said thin-film piezoelectric member is coated with a protection member. 75
20. The head supporting mechanism according to claim 6, wherein a wire is allowed to pass through said pair of elastic hinge portions. 80
21. The head supporting mechanism according to claim 20, wherein the wire passing through the elastic hinge portions is set to have a thickness greater than a width. 85

FIG. 2

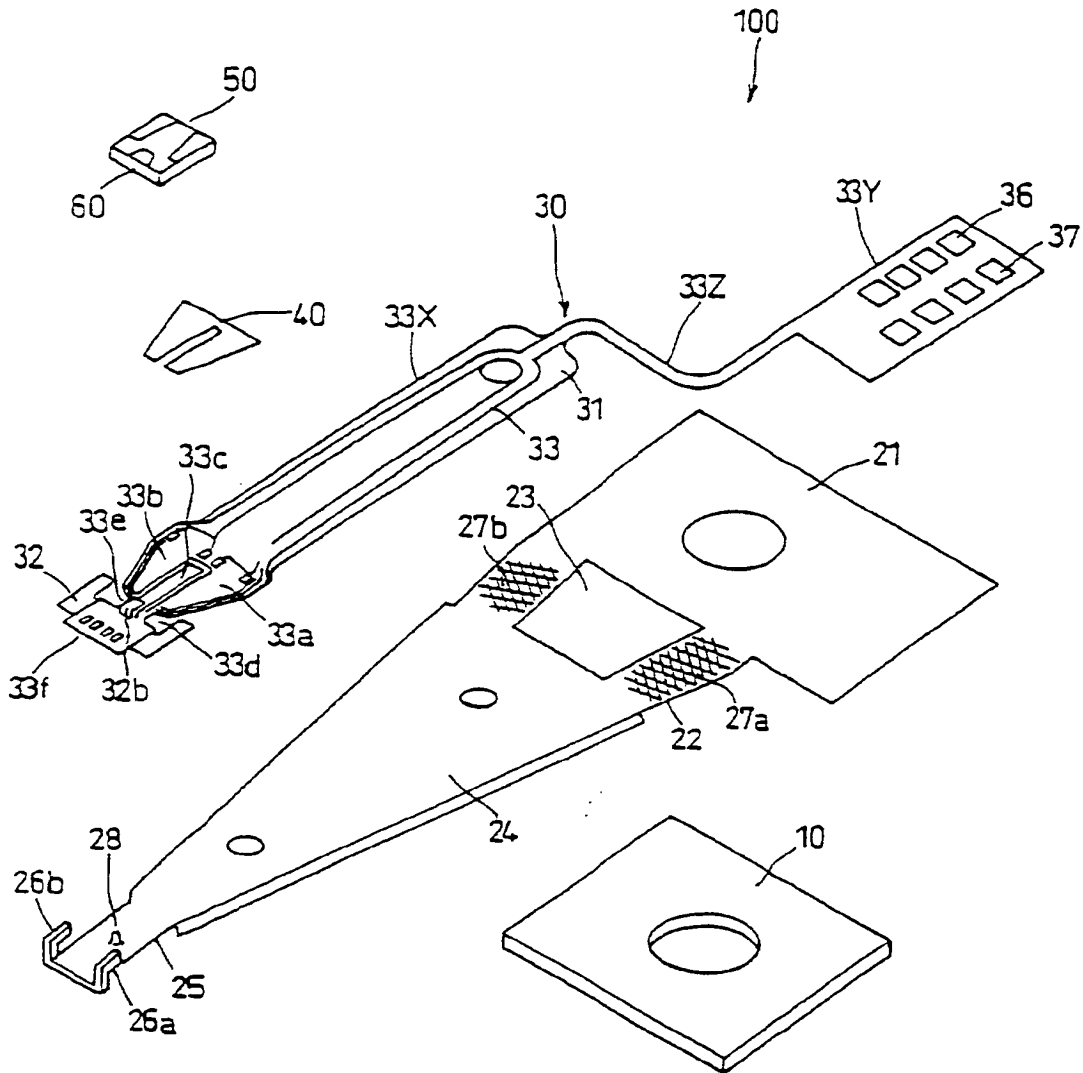


FIG. 3

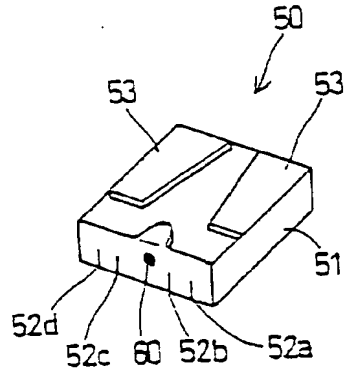


FIG. 4

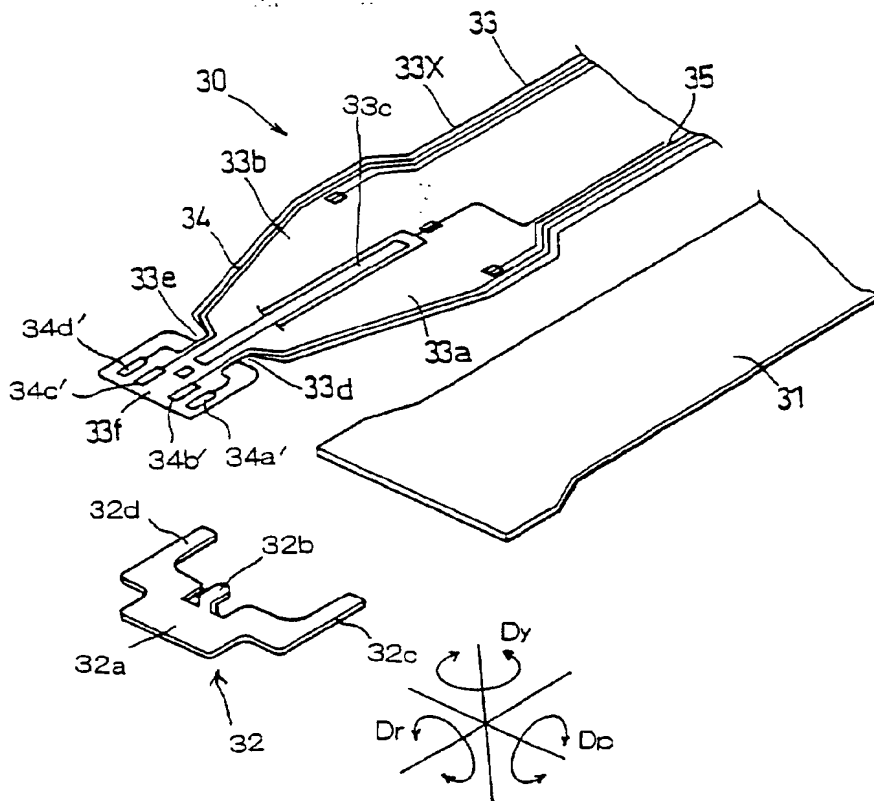


FIG. 5

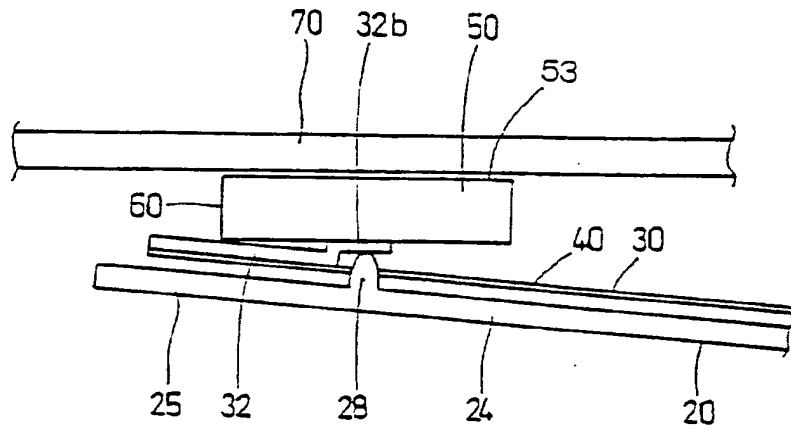


FIG. 6

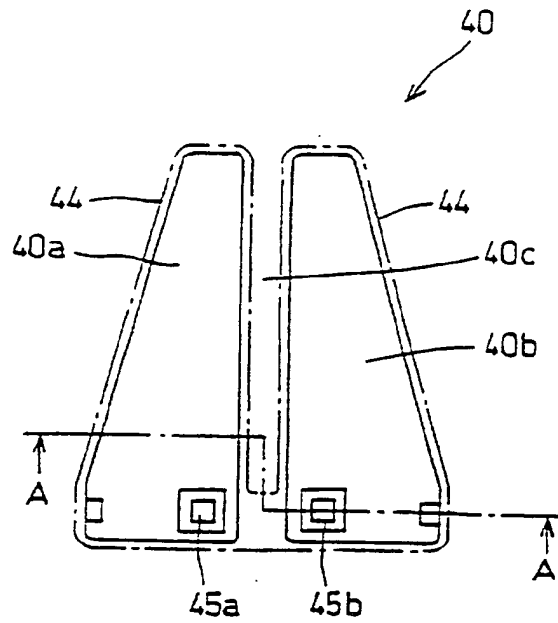


FIG. 7

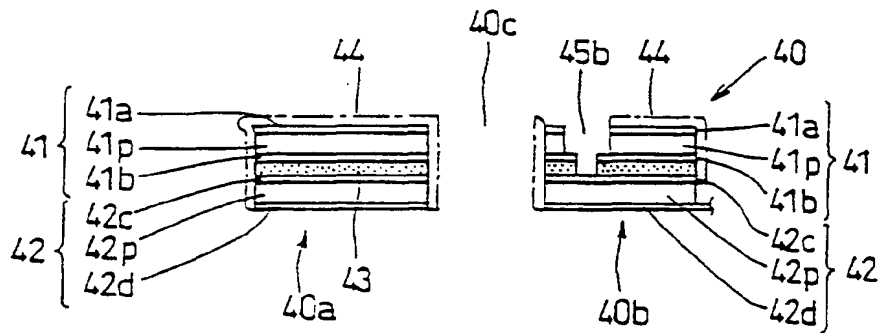


FIG. 8

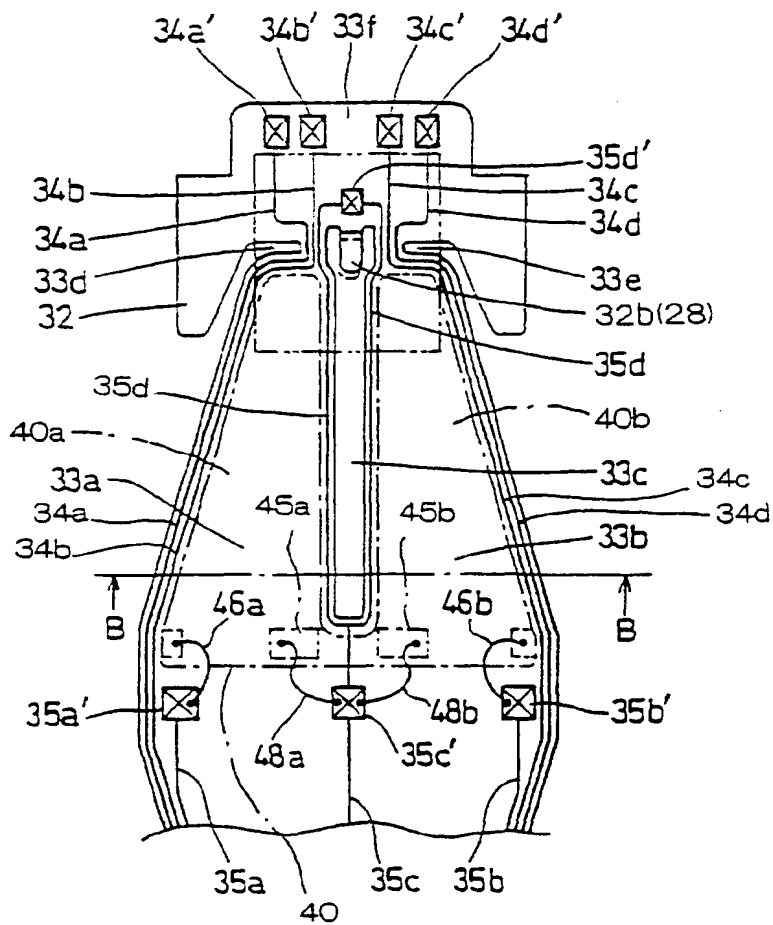


FIG. 9A

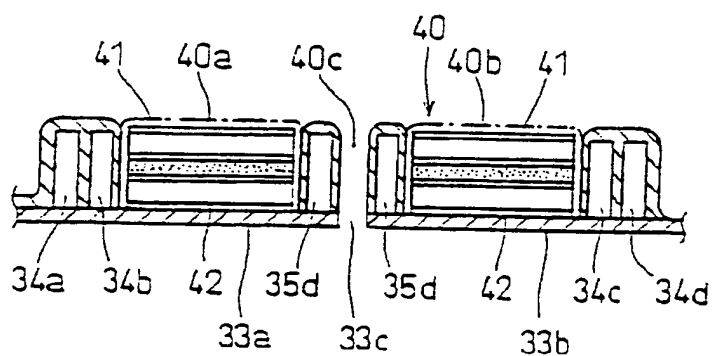


FIG. 9B

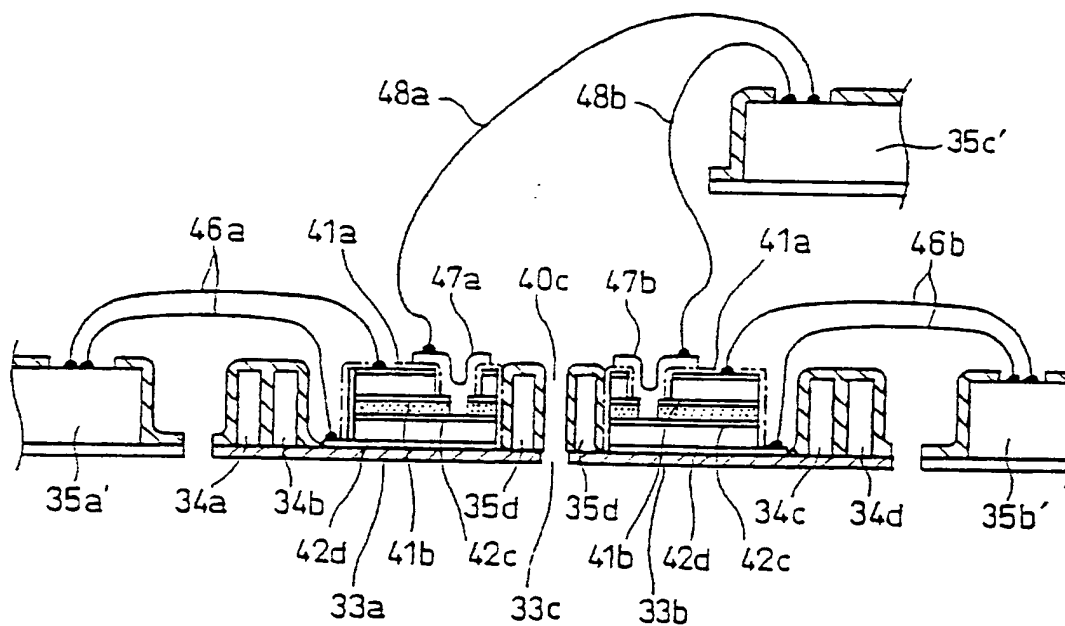


FIG. 10

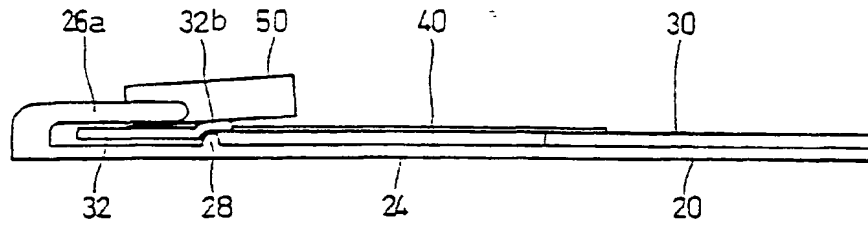


FIG. 11A

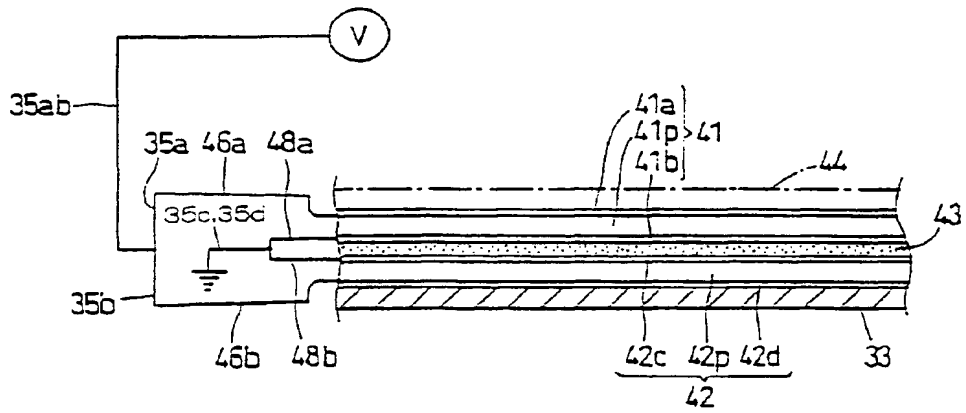


FIG. 11B

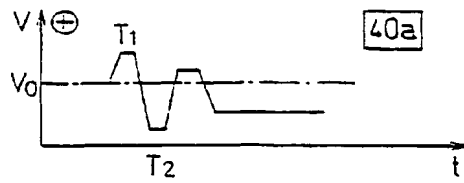


FIG. 11C

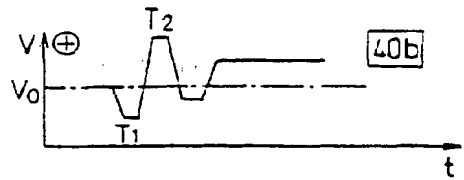


FIG. 12A

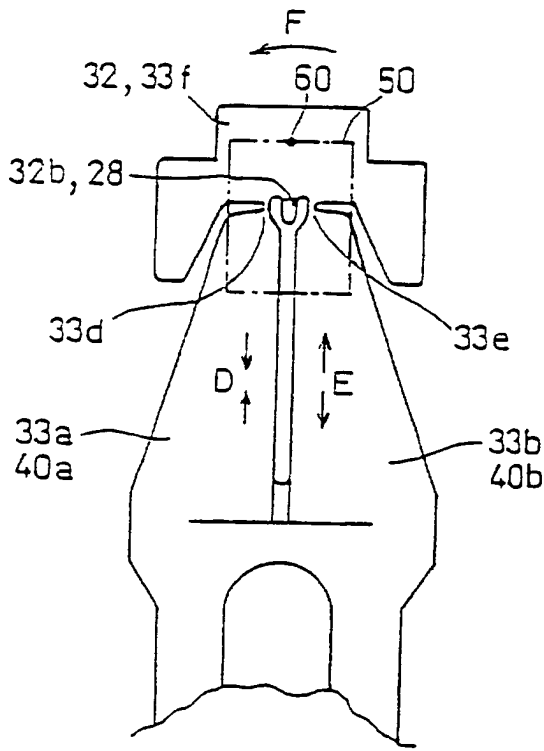


FIG. 12B

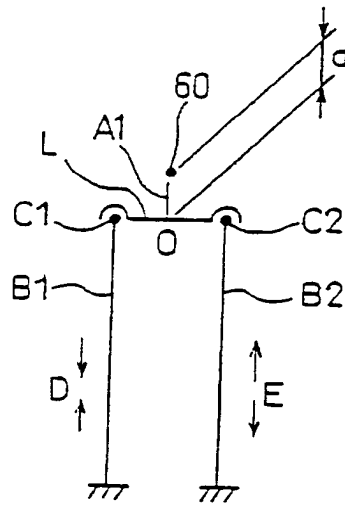


FIG. 13A

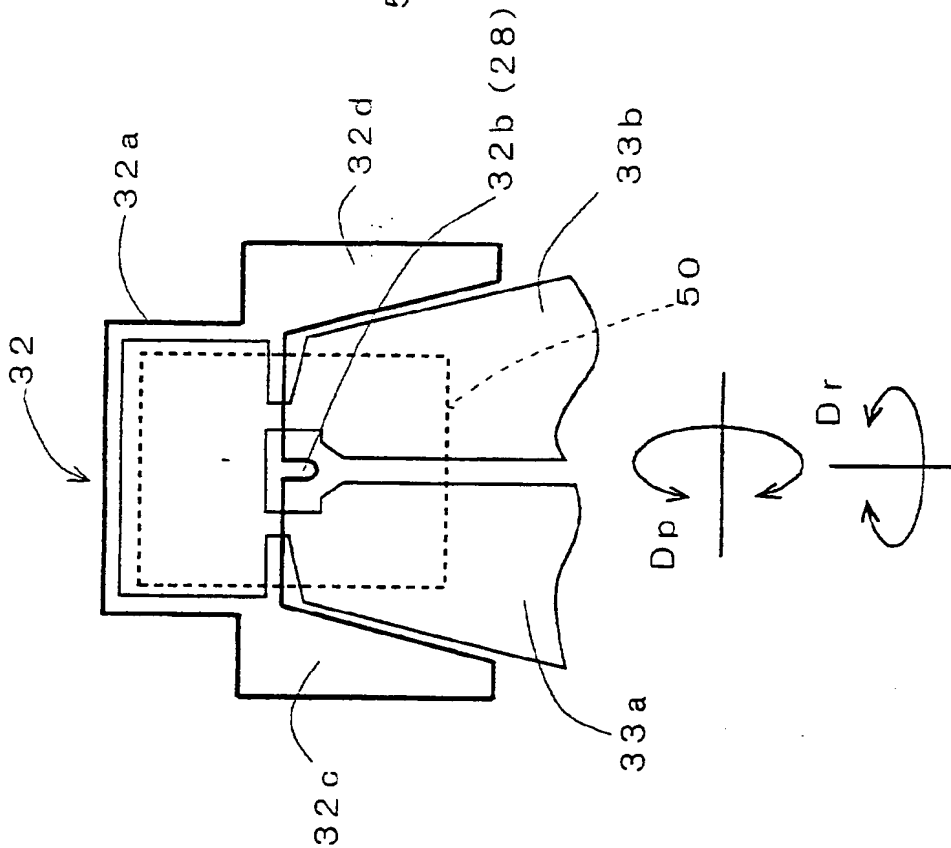


FIG. 13B

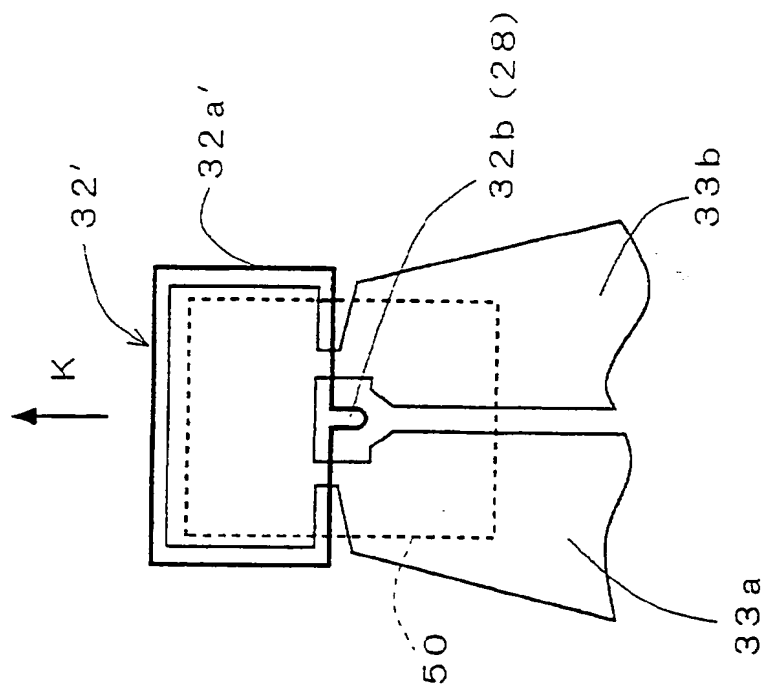
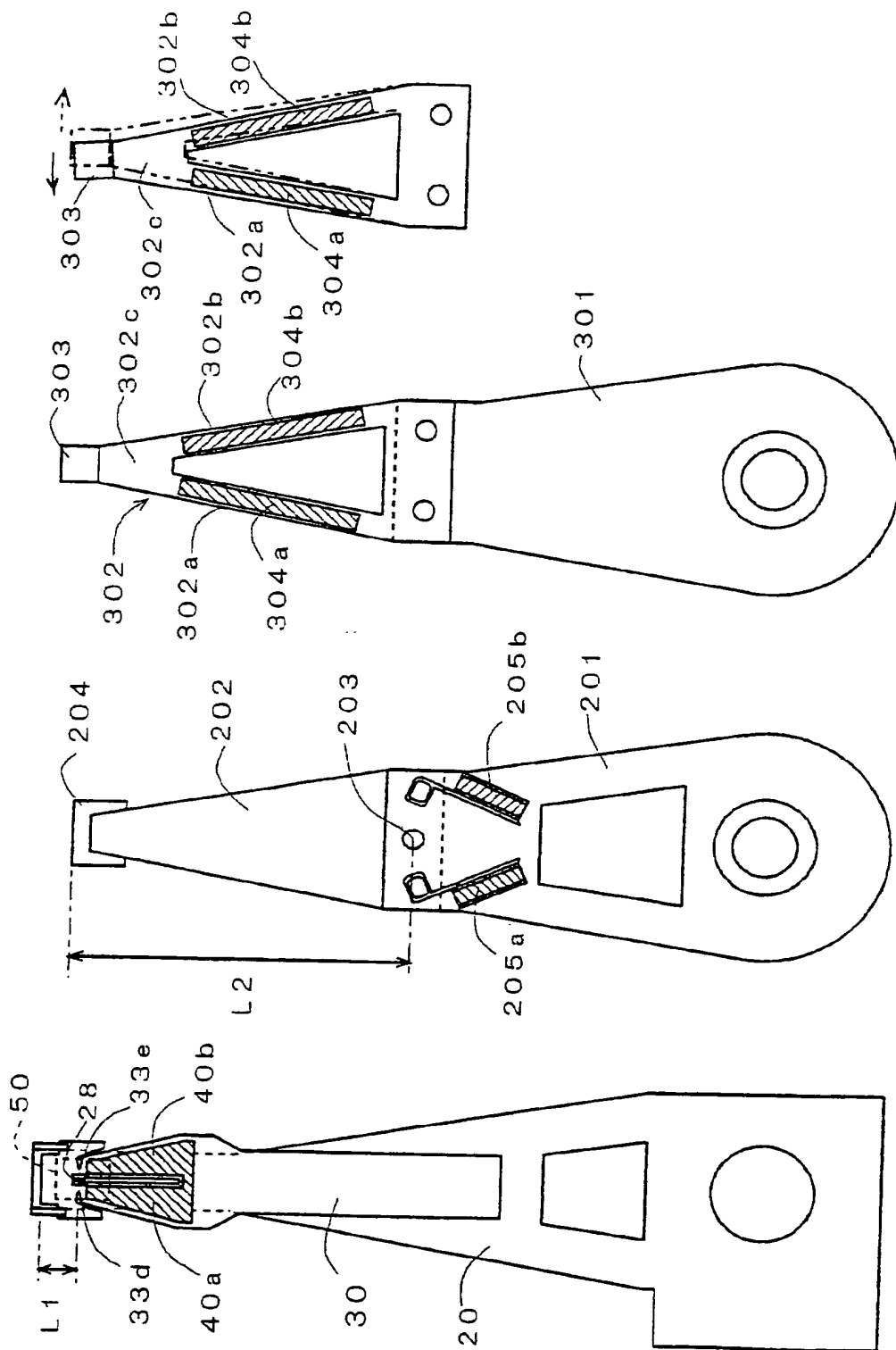
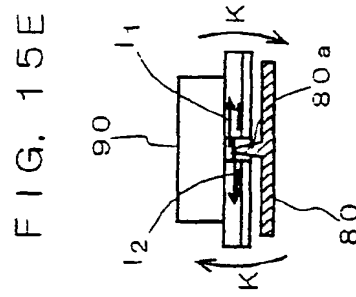
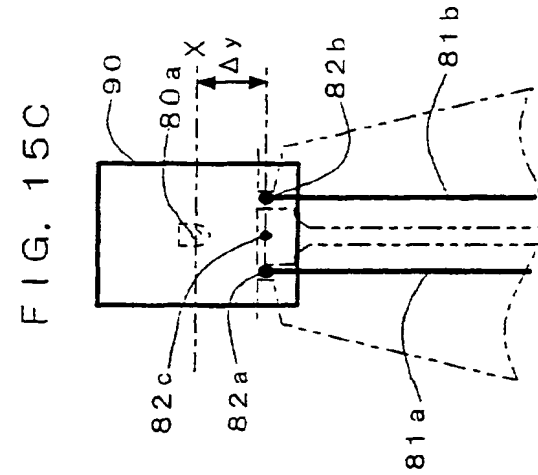
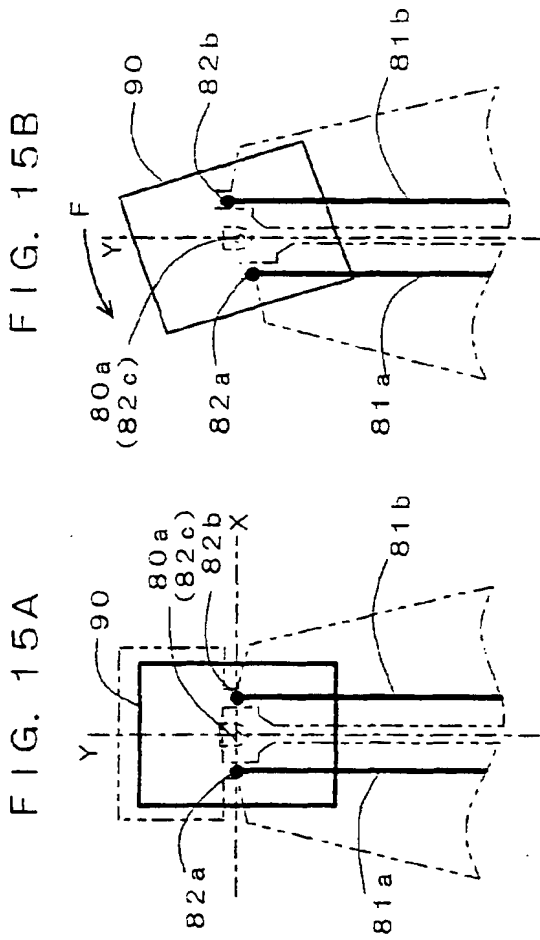


FIG. 14A FIG. 14B FIG. 14C FIG. 14D





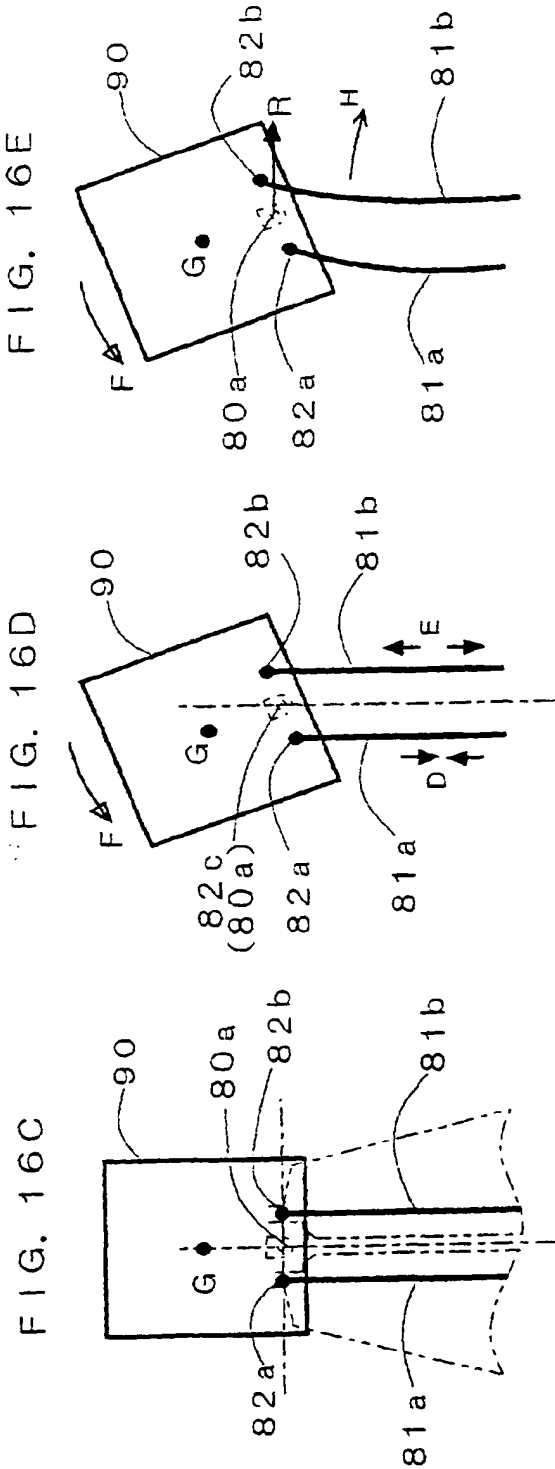
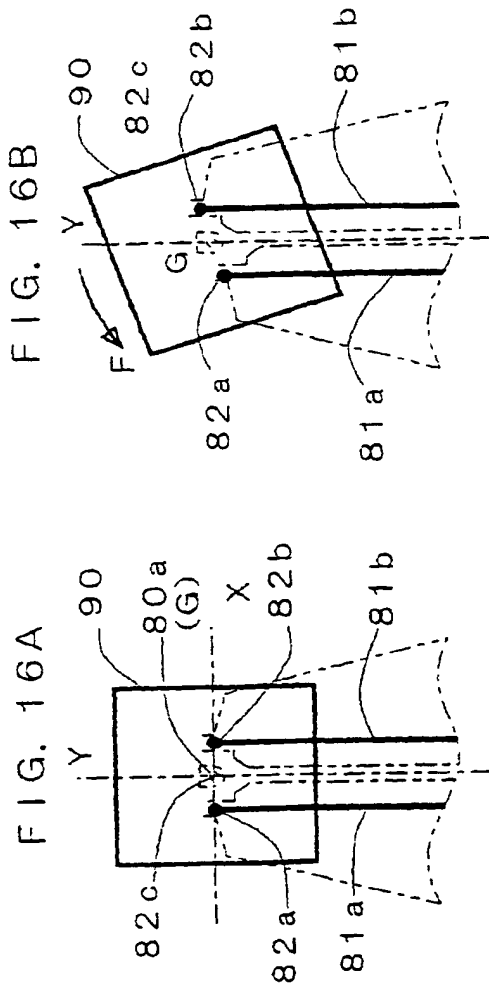


FIG. 17A

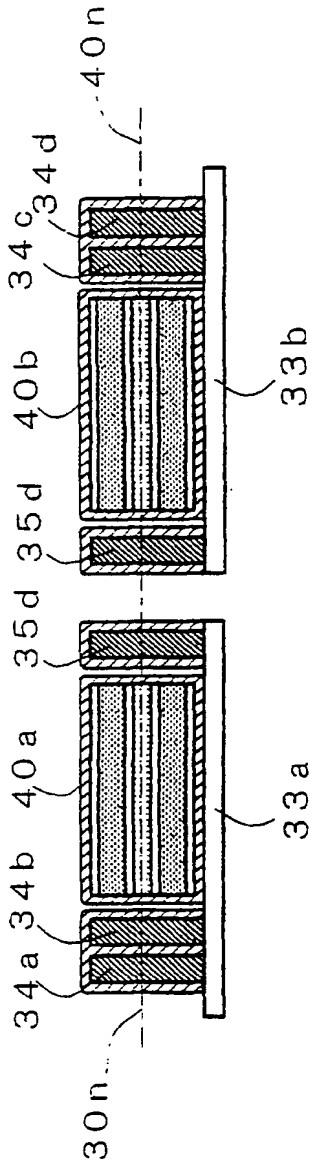


FIG. 17B

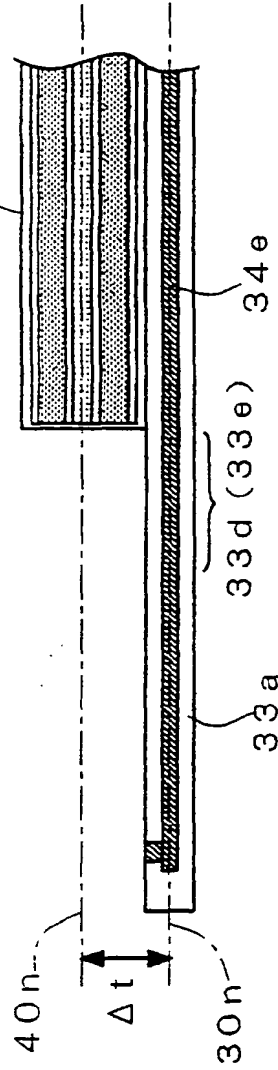


FIG. 17C

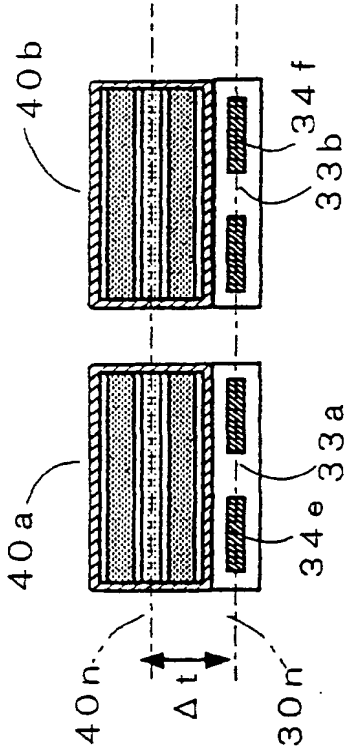


FIG. 17D

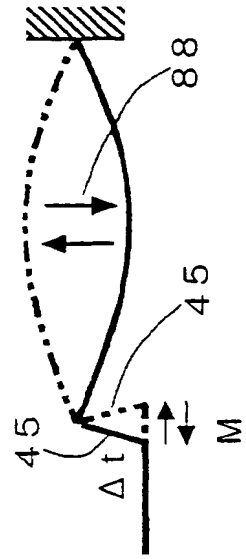


FIG. 18

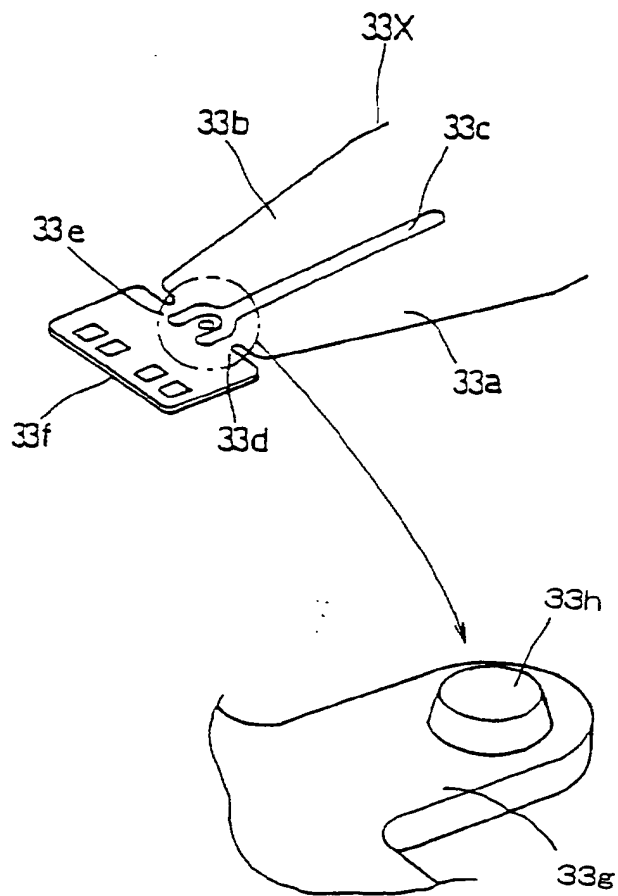
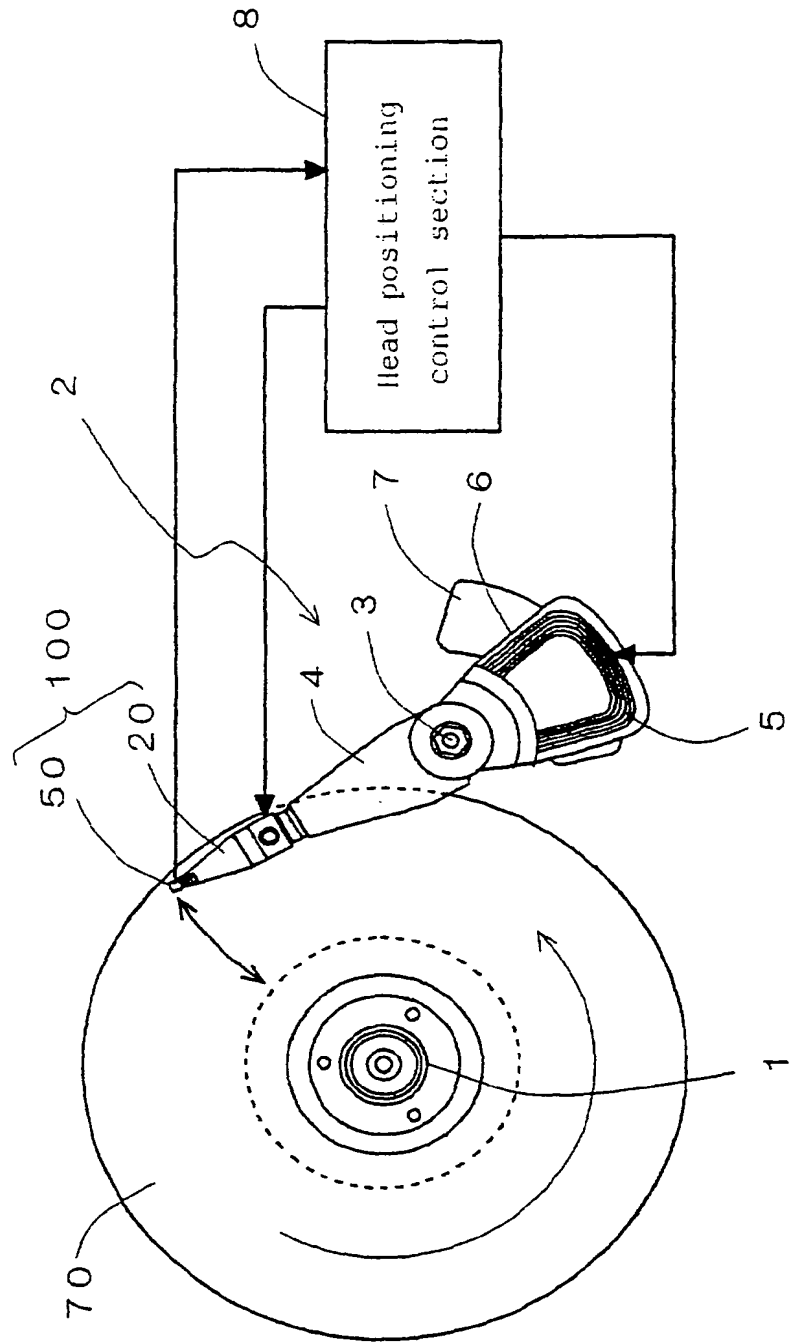


FIG. 19



THIS PAGE BLANK (USPTO)

(19)



Europäisches Patentamt
European Patent Office
Office européen des brevets



(11)

EP 1 202 273 A3

(12)

EUROPEAN PATENT APPLICATION

(88) Date of publication A3:
02.04.2003 Bulletin 2003/14

(51) Int Cl.7: **G11B 21/00**, G11B 21/10,
G11B 21/21, G11B 5/58,
G11B 5/54, G11B 5/55

(43) Date of publication A2:
02.05.2002 Bulletin 2002/18

(21) Application number: 01124889.5

(22) Date of filing: 18.10.2001

(84) Designated Contracting States:
**AT BE CH CY DE DK ES FI FR GB GR IE IT LI LU
MC NL PT SE TR**
Designated Extension States:
AL LT LV MK RO SI

(72) Inventors:
• **Kuwajima, Hideki**
Kyoto-shi, Kyoto 606-8286 (JP)
• **Matsuoka, Kaoru**
Osaka-shi, Osaka 535-0013 (JP)

(30) Priority: 23.10.2000 JP 2000322441
04.10.2001 JP 2001308614

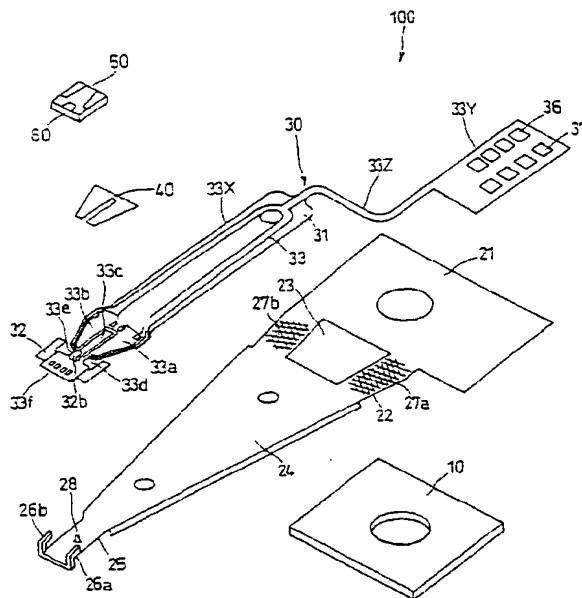
(74) Representative:
TER MEER STEINMEISTER & PARTNER GbR
Patentanwälte,
Mauerkircherstrasse 45
81679 München (DE)

(71) Applicant: **MATSUSHITA ELECTRIC INDUSTRIAL
CO., LTD.**
Kadoma-shi, Osaka 571-8501 (JP)

(54) **Head supporting mechanism**

(57) A load beam (20) is attached to an actuator arm that is allowed to rock around a pivotal axis by a voice coil motor, etc., as a slider supporting member, the base end of a flexure (30) is attached to the load beam (20) with the free end thereof being left, a slider supporting member (32) is attached to the top portion of the flexure (30), a slider (50) on which a recording/reproduction head (60) is installed is secured to the slider supporting member (32), and the slider supporting member (32) is supported by a protrusion (28) placed on the free end side of the load beam (20) so as to be freely pivot thereon. Portions of the flexure (30) corresponding to both of the sides of this protrusion (28) are constituted by elastic hinge portions, each having a necked shape. A pair of thin-film piezoelectric elements (40a, 40b) are bonded to the flexure (30) as displacement members. In a tracking compensation operation of the head, forces are exerted on the slider supporting member (32) through the elastic hinge portion by extending and contracting operations of the pair of thin-film piezoelectric elements so that the slider (50) is allowed to pivot around the protrusion (28) of the load beam serving as the center of pivotal movements, together with the slider supporting member (32).

FIG. 2



EP 1 202 273 A3



European Patent
Office

EUROPEAN SEARCH REPORT

Application Number
EP 01 12 4889

DOCUMENTS CONSIDERED TO BE RELEVANT			
Category	Citation of document with indication, where appropriate, of relevant passages	Relevant to claim	CLASSIFICATION OF THE APPLICATION (Int.Cl.7)
X	US 6 046 884 A (CRANE PETER) 4 April 2000 (2000-04-04) * column 3, line 43 - column 4, line 12; figure 2 *	1-3,9	G11B21/00 G11B21/10 G11B21/21 G11B5/58 G11B5/54 G11B5/55
X	US 6 078 473 A (QUALEY DAVID GORDON ET AL) 20 June 2000 (2000-06-20) * column 3, line 12 - line 57; figures 2-5 *	1-3,9	
X	US 5 856 896 A (LIU JOSEPH CHENG-TSU ET AL) 5 January 1999 (1999-01-05) * column 3, line 24 - column 5, line 47; figures 3-5 *	1-3,9	
X	WO 98 44488 A (ALTSHULER KENNETH J ;STEFANSKY FREDERICK M (US); DAGUE WALLIS A (U) 8 October 1998 (1998-10-08) * page 4 - page 5; figures 2,3 *	1-3,9	
X	US 6 118 637 A (BERKOWITZ JEFFREY K ET AL) 12 September 2000 (2000-09-12) * column 3, line 14 - line 53; figure 2 *	1-3,9	TECHNICAL FIELDS SEARCHED (Int.Cl.7) G11B
X	PATENT ABSTRACTS OF JAPAN vol. 015, no. 281 (P-1228), 17 July 1991 (1991-07-17) & JP 03 097174 A (FUJITSU LTD), 23 April 1991 (1991-04-23) * abstract *	1-3,9	
X	PATENT ABSTRACTS OF JAPAN vol. 018, no. 473 (P-1795), 2 September 1994 (1994-09-02) & JP 06 150596 A (TOSHIBA CORP), 31 May 1994 (1994-05-31) * abstract *	1-3,9	
The present search report has been drawn up for all claims			
Place of search MUNICH		Date of completion of the search 6 February 2003	Examiner Damp, S
CATEGORY OF CITED DOCUMENTS			
X : particularly relevant if taken alone Y : particularly relevant if combined with another document of the same category A : technological background C : non-written disclosure P : intermediate document		T : theory or principle underlying the invention E : earlier patent document, but published on, or after the filing date D : document cited in the application L : document cited for other reasons & : member of the same patent family, corresponding document	

EPC FORM 1503 03.02 (P.04/03)

**ANNEX TO THE EUROPEAN SEARCH REPORT
ON EUROPEAN PATENT APPLICATION NO.**

EP 01 12 4889

This annex lists the patent family members relating to the patent documents cited in the above-mentioned European search report. The members are as contained in the European Patent Office EDP file on
The European Patent Office is in no way liable for these particulars which are merely given for the purpose of information.

06-02-2003

Patent document cited in search report	Publication date	Patent family member(s)	Publication date
US 6046884 A	04-04-2000	DE 19782291 T0	27-07-2000
		GB 2342221 A ,B	05-04-2000
		JP 2001526439 T	18-12-2001
		CN 1276081 A	06-12-2000
		WO 9906993 A1	11-02-1999
		US 6449127 B1	10-09-2002
US 6078473 A	20-06-2000	NONE	
US 5856896 A	05-01-1999	CN 1240528 A ,B	05-01-2000
		DE 19782134 T0	28-10-1999
		GB 2334810 A ,B	01-09-1999
		JP 2002513494 T	08-05-2002
		KR 2000057334 A	15-09-2000
		KR 2000057344 A	15-09-2000
		WO 9825264 A1	11-06-1998
		US 6115223 A	05-09-2000
		US 5898541 A	27-04-1999
US 6002549 A	14-12-1999		
WO 9844488 A	08-10-1998	DE 19882261 T0	24-02-2000
		GB 2337848 A ,B	01-12-1999
		JP 2001517349 T	02-10-2001
		US 6222706 B1	24-04-2001
		WO 9844488 A1	08-10-1998
US 6118637 A	12-09-2000	NONE	
JP 03097174 A	23-04-1991	NONE	
JP 06150596 A	31-05-1994	NONE	

EPC FORM P2489

For more details about this annex : see Official Journal of the European Patent Office, No. 12/82

THIS PAGE BLANK (USPTO)

**This Page is Inserted by IFW Indexing and Scanning
Operations and is not part of the Official Record**

BEST AVAILABLE IMAGES

Defective images within this document are accurate representations of the original documents submitted by the applicant.

Defects in the images include but are not limited to the items checked:

- BLACK BORDERS
- IMAGE CUT OFF AT TOP, BOTTOM OR SIDES
- ~~FADED TEXT OR DRAWING~~
- BLURRED OR ILLEGIBLE TEXT OR DRAWING
- SKEWED/SLANTED IMAGES
- COLOR OR BLACK AND WHITE PHOTOGRAPHS
- GRAY SCALE DOCUMENTS
- LINES OR MARKS ON ORIGINAL DOCUMENT
- REFERENCE(S) OR EXHIBIT(S) SUBMITTED ARE POOR QUALITY
- OTHER: _____

IMAGES ARE BEST AVAILABLE COPY.

As rescanning these documents will not correct the image problems checked, please do not report these problems to the IFW Image Problem Mailbox.

THIS PAGE BLANK (USPTO)